

**CITY OF BERKLEY PUBLIC NOTICE**  
**REGULAR CITY COUNCIL MEETING**  
**Monday, June 6, 2022**  
**7:00 P.M. – City Hall**  
**248-658-3300**

**CALL 39<sup>th</sup> COUNCIL TO ORDER**  
**APPROVAL OF AGENDA**  
**INVOCATION – PASTOR RACHEL DUNLAP**  
**PLEDGE OF ALLEGIANCE**  
**PUBLIC COMMENT**  
**ORDER OF BUSINESS**

**Consent Agenda**

1. **APPROVAL OF THE MINUTES:** Matter of [approving the minutes](#) of the 39<sup>th</sup> Regular City Council meeting on Monday, May 16, 2022 and the Special City Council meetings on May 9 and 10, 2022.
2. **RESOLUTION NO. R-10-22:** Matter of [considering a resolution](#) to receive a partial reimbursement of larvicide product costs from Oakland County. This is an annual program involving the placement of larvicide tablets in approximately 1,600 City catch basins to inhibit the growth of mosquito larvae.
3. **PROCLAMATION NO. P-20-22:** Matter of [proclaiming June 19, 2022](#) to be Juneteenth Celebration Day.
4. **PROCLAMATION NO. P-21-22:** Matter of [proclaiming the week](#) of June 19-25, 2022 to be Lightning Safety Week.

**Regular Agenda**

1. **RECOGNITIONS/PRESENTATIONS:** Matter of any recognitions or presentations from the Consent Agenda.
2. **OATH OF OFFICE:** Oath of Office to [appoint Public Safety Officer Jean-Pierre Cormier](#).
3. **RESOLUTION NO. R-11-22:** Matter of [recognizing Maureen Monte](#) for her service and dedication to the Berkley Public Safety Department and awarding her with the Berkley Public Safety Civilian Citation Award 2022.
4. **MOTION NO. M-48-22:** Matter of [approving the purchase of Next Generation 911 Equipment and Services](#) from Motorola Solutions, Inc. f/k/a Emergency CallWorks, Inc. (“MSI” or “ECW”), 1900 International Park Dr., Ste. 300 Birmingham, AL 35243, at a cost of \$54,946 from the Dispatch Equipment Account 101-306-982-000.
5. **MOTION NO. M-49-22:** Matter of [approving the purchase](#) of a 2023 Prodigy HHX Hydroexcavation Unit at a total cost not to exceed \$460,000 from Jack Doheny Companies.
6. **MOTION NO. M-50-22:** Matter of [approving a five-year agreement with PSLZ, LLC](#) as submitted and signed by Managing Partner Rana Emmons in a proposal dated May 12, 2022, to provide Professional Auditing Services for the City of Berkley as the lowest qualified and recommended bidder in the amount of \$30,000 in Fiscal Year 2022-2023, and the following four years as follows; \$31,000 in year two, \$32,000 in year three, \$32,000 in year four, and \$33,000 in year five. Also, for PSLZ, LLC to provide services to file a Single Audit, if necessary, for \$5,000 each, in year one and two and \$6,000 each year in years three through five.
7. **MOTION NO. M-51-22:** Matter of [approving a Downtown Development Authority \(DDA\) event](#), “Berkley Pride Block Party” on Robina north of 12 Mile Road on Sunday, June 26, 2022 from noon to 4 p.m. Approval is conditional upon the submission of required items and documents prior to the event date.

8. **MOTION NO. M-52-22**: Matter of [amending the City of Berkley's Fee Schedule](#) for the Public Library effective July 1, 2022 to eliminate overdue charges for Children's books, Adult and teen books, DVD's and videos, and Nonprint materials; and increase collection agency referral fee to \$12.
9. **RESOLUTION NO. R-12-22**: Matter [of considering a Resolution to temporarily suspend](#) enforcement of Residential Grading and Drainage Standards, in City Code Chapter 26, Article XII, in regard to small projects, accessory structures, and improvements to existing residential buildings and structures.

## COMMUNICATIONS

## ADJOURN

Note: The City of Berkley will provide necessary reasonable auxiliary aids and services, such as signers for the hearing impaired and audio tapes of printed materials being considered at the meeting, to individuals with disabilities at the meeting upon four working days notice to the City. Individuals with disabilities requiring auxiliary aids or services should contact the City by writing or calling: Victoria Mitchell, ADA Contact, Berkley City Hall, 3338 Coolidge Highway, Berkley, MI 48072 (1-248-658-3310).

Note: Official minutes of City Council Meetings and supporting documents for Council packets are available for public review in the City Clerk's Office during normal working hours. Anyone wishing to submit correspondence for the meeting may send an email to [clerk@berkleymich.net](mailto:clerk@berkleymich.net) or call 248-658-3310 by 5 p.m. on the day of the meeting.

**THE REGULAR MEETING OF THE THIRTY-NINTH COUNCIL OF THE CITY OF BERKLEY, MICHIGAN  
WAS CALLED TO ORDER AT 7:00 PM ON MONDAY, MAY 16, 2022 BY MAYOR TERBRACK**

**PRESENT:** Steve Baker                      Bridget Dean  
              Ross Gavin                      Dennis Hennen  
              Natalie Price                      Jessica Vilani  
              Daniel Terbrack

**APPROVAL OF AGENDA**

Councilmember Price moved to approve the Agenda  
Seconded by Councilmember Baker  
Ayes: Dean, Gavin, Hennen, Price, Vilani, Baker, and Terbrack  
Nays: None  
Motion Approved.

**INVOCATION:** Pastor Zack Dunlap

**PUBLIC COMMENT**

Mike McGuinness, Downtown Development Authority Executive Director, thanked City Council and the community for attending the ribbon cutting ceremony for the Little Lou's Hot Chicken as well as the ribbon cutting for Flipside Records. He also thanked everyone who attended the Block Party on May 1<sup>st</sup> as well. He talked about the upcoming downtown events that included Ladies Night Out on Thursday, June 2<sup>nd</sup> from 5:00 – 9:00 pm and the Berkley Pride Block Party on June 26<sup>th</sup>. Finally, he thanked everyone for their continued support for the progress of the downtown.

***Consent Agenda***

Councilmember Gavin moved to approve the following Consent Agenda, seconded by Mayor Pro Tem Dean:

**APPROVAL OF THE MINUTES:** Matter of approving the minutes of the 39<sup>th</sup> Regular City Council meeting on Monday, April 18, 2022.

**WARRANT:** Matter of approving Warrant No. 1374.

**PROCLAMATION NO. P-14-22:** Matter of proclaiming May 14, 2022 as Apraxia Awareness Day.

**PROCLAMATION NO. P-15-22:** Matter of proclaiming May 15-21 as National Police Week.

**PROCLAMATION NO. P-16-22:** Matter of proclaiming the first Friday in June to be National Gun Violence Awareness Day.

**PROCLAMATION NO. P-17-22:** Matter of proclaiming June 2022 as LGBTQIA+ Pride Month.

**PROCLAMATION NO. P-18-22:** Matter of proclaiming June 2022 as Pet Preparedness Month.

**PROCLAMATION NO. P-19-22:** Matter of proclaiming June 2022 as Summer Safety Month.

Jess Worrall, Berkley, spoke in support of Proclamation P-17-22.

Mary Miller, Berkley, spoke in support of P-16-22.

Ayes: Gavin, Hennen, Price, Vilani, Baker, Dean, and Terbrack

Nays: None

Motion Approved.

### ***Regular Agenda***

**RECOGNITIONS/PRESENTATIONS:** Matter of any recognitions or presentations from the Consent Agenda.

Mayor Pro Tem Dean read Proclamation No. P-15-22 into record.

Councilmember Price read Proclamation No. P-16-22 into record.

Councilmember Vilani read Proclamation No. P-17-22 into record.

**PUBLIC HEARING:** Matter of holding a public hearing regarding the proposed operating budget for the fiscal year 2022/23 and supporting tax rates for the City of Berkley, Michigan.

The public hearing opened at 7:21pm.

No one present wished to speak.

The public hearing closed at 7:22pm.

**RESOLUTION NO. R-06-22:** Matter of approving a resolution of the Council of the City of Berkley, Michigan approving the 2022/23 through 2028/2029 Capital Improvements Plan of the City of Berkley, Michigan.

Councilmember Baker moved to approve Resolution No. R-06-22

Seconded by Councilmember Vilani

Ayes: Hennen, Price, Vilani, Baker, Dean, Gavin, and Terbrack

Nays: None

Motion Approved.

**RESOLUTION NO. R-07-22:** Matter of approving a resolution of the Council of the City of Berkley, Michigan establishing a Residential and Commercial Service Fee for the Collection and Disposal of Solid Waste, effective July 1, 2022.

Councilmember Hennen moved to approve Resolution No. R-07-22

Seconded by Councilmember Gavin

Ayes: Price, Vilani, Baker, Dean, Gavin, Hennen, and Terbrack

Nays: None

Motion Approved.

**RESOLUTION NO. R-08-22:** Matter of approving a resolution of the Council of the City of Berkley, Michigan setting the charges for Water and Sewer Services, effective July 1, 2022.

Mayor Pro Tem Dean moved to approve Resolution No. R-08-22

Seconded by Councilmember Vilani

Ayes: Vilani, Baker, Dean, Gavin, Hennen, Price, and Terbrack

Nays: None

Motion Approved.

**RESOLUTION NO. R-09-22:** Matter of approving a resolution of the Council of the City of Berkley, Michigan adopting a budget for the Fiscal Year beginning July 1, 2022 and ending June 30, 2023.

Councilmember Price moved to approve Resolution No. R-09-22  
Seconded by Councilmember Baker  
Ayes: Baker, Dean, Gavin, Hennen, Price, Vilani, and Terbrack  
Nays: None  
Motion Approved.

**MOTION NO. M-47-22:** Matter of authorizing the City Manager to sign the Application for Additional Service Credit Purchase for John Beach approving the purchase of two years of Generic additional service credit. This service credit purchase is allowed by the MAPE Contract Agreement dated 7/1/2021 through 6/30/2024 and the MERS Plan Document for active members. The total cost calculated by MERS included on the Application for Additional Service Credit is \$20,820 and the City of Berkley's share of that cost is \$16,509.

Councilmember Hennen moved to approve Motion No. M-47-22  
Seconded by Councilmember Vilani  
Ayes: Dean, Gavin, Hennen, Price, Vilani, Baker, and Terbrack  
Nays: None  
Motion Approved.

## **COMMUNICATIONS**

**COUNCILMEMBER GAVIN:** stated that the next Environmental Advisory Committee (EAC) meeting will be June 16<sup>th</sup> at 6:30 pm on the second floor of the public safety building and he also mentioned that the May meeting was canceled. He said that the next Planning Commission meeting will be May 24<sup>th</sup> at 7:00pm in the council chambers. Finally, he thanked the Berkley Days Committee and everyone else that made the Berkley Days event possible.

**COUNCILMEMBER VILANI:** said that she had a few quick updates from the Berkley Chamber of Commerce. She stated that the next Chamber Chat is this coming Friday from 8:30 – 9:30 am at Pinspiration and no registration is required. She said encouraged everyone to subscribed to the Berkley Local Podcast if they had not done so already and mentioned that the latest podcast featured Berkley Chamber President, Tim Murad, and he will be talking about volunteering in the city and what the real estate market is like right now. She also talked about the Berkley Cares Food Pantry and encouraged everyone to visit their website, [berkeleycaresfoodpantry.com](http://berkeleycaresfoodpantry.com), and also said that they will be having a donation day coming up this Friday. Finally, she said that the Berkley Cares Food Pantry needs non-perishable food items.

**MAYOR PRO TEM DEAN:** said that the Parks and Recreation Department will be having a senior picnic on June 8<sup>th</sup> and it is free. She did mention that in order to register for the senior picnic you will need to call the Parks and Recreation Department at (248) 658-3470. She extended a big thank you to all the donors for the Jaycee Park improvements. She said that the Parks and Recreation Department not only met their \$50,000.00 goal but exceeded it as well and in return they will receiving a \$50,000.00 matching grant from the Michigan Economic Development Corporation. (MEDC).

**COUNCILMEMBER BAKER:** said that the Historical Committee would like to remind everyone that May 29<sup>th</sup> will be Berkley's 90<sup>th</sup> anniversary for becoming a city and next year will be Berkley's 100<sup>th</sup> anniversary becoming a village. He said the Historical Committee last met on May 10<sup>th</sup> at 7:00 pm and they are currently continuing to work on the next collectible mug and they are also working on inventorying and cataloging the artifacts in the museum in a software package. He that visitors are always welcome to the Historical Museum and they are open Wednesdays from 10:00am – 1:00 pm and Sundays from 2:00 – 4:00 pm and you can also visit them online at [berkeleyhistory.com](http://berkeleyhistory.com). He said that the Downtown Development Authority (DDA) had their last meeting on Wednesday, May 11<sup>th</sup>. He thanked everyone that helped with the Downtown Block Party on Sunday, May 1<sup>st</sup>. He stated that the next Downtown Block Party will be June 26<sup>th</sup> and will be called Berkley Pride. He said that the next Ladies Night Out will be on

Thursday, June 2<sup>nd</sup> along Coolidge and 12 Mile from 5:00 – 9: 00pm. He also gave a list of all the new businesses that have either recently opened or will be opening in the downtown area. He quoted Angela Davis, “In a racist society, it is not enough to be non-racist, we must be anti-racist.” He talked about the latest mass shooting in Buffalo, New York where 10 innocent Americans were shot and killed. He said that hatred and division is not American and we cannot tolerate this. He mentioned that during the meeting they passed two proclamations, one promoting the LGBTQIA+ community and the other raising awareness against gun violence. He also talked about the importance of love, understanding, compassion, and inclusion of everyone. Finally, he told everyone to stay safe and to hug someone they love.

**COUNCILMEMBER PRICE:** said that her communications tonight is very much focused on expressing gratitude to the City’s volunteers. She continued to say this is the season of great events like Berkley Days and recognized that volunteers are who helped to make it happen and how well attended and well organized it was. She also wanted to thank the residents who are volunteering their time to participate in the current stakeholders’ sessions about branding. She emphasized how we need to work together as a community so the new brand represents Berkley as a whole and she is grateful for everyone that is doing that. She also thanked the residents who submitted comments and showed up tonight and she said that by having City Council pass the National Gun Violence Awareness Day proclamation and also the proclamation proclaiming June 2022 LGBTQIA+ Month is recognizing the wishes of the residents in the community.

**COUNCILMEMBER HENNEN:** gave an update with the Tree Board and talked about how with the Spring Tree Planting they will be adding 30 new trees in the easements and this is the results of one of the two grants that was received. They are also following up on the tree preservation as a part of the Cornwall Kenmore Project. The next meeting before the Tree Board takes a summer hiatus will be Monday, May 23<sup>rd</sup> in the council chambers. He said at the last Zoning Boards of Appeals (ZBA) meeting, they heard two cases. The first case they approved a salon on Coolidge with no parking after the previous building owner sold his parking lot to a neighboring business. For the second case, they approved changing the text to a non-conforming sign on Woodward. He said that the next ZBA meeting will be on Monday, June 13<sup>th</sup> and they will be hearing at least one case regarding approving a larger sign than what is allowed. Finally, he talked about how that he thinks that they need to look at their current grading standards. He requested to consider at least a partial enforcement moratorium for smaller projects at the next City Council meeting while they work on fine tuning that ordinance. He said so that there is a balance with protecting people from flooding while at the same time encouraging development.

**CITY MANAGER BAUMGARTEN:** thanked Berkley Days and said how the volunteers do a great job and he also thanked the Parks and Recreation Department for helping to provide the space needed for the event as well. He also thanked the Finance Department as well as the Department Directors since they had asked them to give up more the usual for their budgets this year.

**ATTORNEY STARAN:** had nothing to report this evening.

**MAYOR TERBRACK:** thanked the Berkley Days Association and said how it incredibly well attended Berkley Days was. He congratulated the Mom’s and Dad’s Club for their win last Thursday as well. He also congratulated the Berkley Education Foundation and the group’s Off to the Races Event that helped raise money for the foundation. He recognized the recent rise in COVID cases and encouraged everyone to be safe. Finally, he talked about how there are people that still are resorting to social media instead of having open dialogue to resolve the issues they have with the City.

## **ADJOURNMENT**

Councilmember Vilani moved to adjourn the Regular Meeting at 8:07 p.m.

Seconded by Mayor Pro Tem Dean

Ayes: Hennen, Price, Vilani, Baker, Dean, Gavin, and Terbrack

Nays: None  
Motion Approved.

**A BUDGET WORK SESSION OF THE THIRTY-NINTH COUNCIL OF THE CITY OF BERKLEY,  
MICHIGAN WAS CALLED TO ORDER AT 6:00 PM ON MONDAY, MAY 9, 2022  
BY MAYOR DANIEL J. TERBRACK**

---

**PRESENT:** Steve Baker  
Bridget Dean  
Ross Gavin  
Dennis Hennen  
Natalie Price  
Jessica Vilani (arrived at 6:41 p.m.)  
Daniel Terbrack

**ALSO  
PRESENT:** Matthew C. Baumgarten, City Manager  
Mark Pollock, Finance Director/Treasurer  
Laurie Fielder, Staff Accountant  
Victoria Mitchell, City Clerk  
Stan Lisica, Chief Innovation Officer  
Torri Mathes, Community Engagement Officer  
Matthew Koehn, Public Safety Director  
Corey Miller, Public Safety Lieutenant  
Matthew Church, Library Director  
Michael McGuinness, DDA Executive Director

**APPROVAL OF AGENDA**

Councilmember Gavin moved to approve the Agenda  
Seconded by Councilmember Baker  
Ayes: Dean, Gavin, Hennen, Price, Baker, and Terbrack  
Nays: None  
Absent: Vilani  
Motion Approved.

**PUBLIC COMMENT:**

There was no one present wishing to speak.

**POWERPOINT PRESENTATION:** Matter of receiving a Finance Department PowerPoint presentation.

Finance Director/Treasurer Mark Pollock provided a PowerPoint presentation reviewing the proposed budget for the 2022-2023 fiscal year. He shared 2022-23 assumptions.

**POWERPOINT PRESENTATION:** Matter of receiving a PowerPoint presentation covering Electronic Vehicles (EV) charging stations.

City Councilmember Steve Baker provided a PowerPoint presentation regarding the validity, need, and placement of Electronic Vehicles (EV) charging stations in the City of Berkley as proposed in the 2022-2023 fiscal-year budget.

**BUDGET WORK SESSION:** Matter of a discussion of the proposed fiscal year 2022-2023 City of Berkley Budget.

The following budgets were reviewed:

- A. Communications
- B. Community Promotion



- C. IT
- D. Library
- E. Public Safety
- F. City Council
- G. City Manager
- H. City Attorney
- I. City Hall
- J. Downtown Development Authority (DDA)

Mayor Terbrack thanked Mark Pollock and all of the directors for their work. He stated this year was a difficult year and thanked everyone for keeping their eyes on the future while keeping in line with the fund balance policy.

**ADJOURN**

Councilmember Hennen moved to adjourn the work session at 8:41 PM  
Seconded by Mayor Pro Tem Dean  
Ayes: Gavin, Hennen, Price, Vilani, Baker, Dean, and Terbrack  
Nays: None  
Motion Approved.

Attest:

---

Daniel J. Terbrack, Mayor

---

Victoria Mitchell, City Clerk

**A BUDGET WORK SESSION OF THE THIRTY-NINTH COUNCIL OF THE CITY OF BERKLEY,  
MICHIGAN WAS CALLED TO ORDER AT 6:00 PM ON TUESDAY, MAY 10, 2022  
BY MAYOR PRO TEM BRIDGET DEAN**

---

**PRESENT:** Steve Baker  
Jack Blanchard  
Bridget Dean  
Ross Gavin  
Dennis Hennen  
Natalie Price

**ABSENT:** Daniel Terbrack

**ALSO  
PRESENT:** Matthew C. Baumgarten, City Manager  
Mark Pollock, Finance Director/Treasurer  
Laurie Fielder, Staff Accountant  
Victoria Mitchell, City Clerk  
Stan Lisica, Chief Innovation Officer  
Shawn Young, Public Works Director  
Theresa McArleton, Parks and Recreation Director  
Dan McMinn, Manager of Senior Programs and Special Events

**APPROVAL OF AGENDA**

Councilmember Baker moved to approve the Agenda  
Seconded by Councilmember Vilani  
Ayes: Gavin, Hennen, Price, Vilani, Baker, and Dean  
Nays: None  
Absent: Terbrack  
Motion Approved.

**PUBLIC COMMENT:**

There was no one present wishing to speak.

**BUDGET WORK SESSION:** Matter of a discussion of the proposed 2022-2023 City of Berkley Budget.

The following budgets were reviewed:

- A. City Clerk
- B. Building and Planning
- C. Parks and Recreation
- D. Public Works
- E. Finance and Treasury
- F. CDBG
- G. Debt Funds
- H. Capital Improvement
- I. Fringe Benefits Fund
- J. Public Safety Retirement

The following corrections were made to the budget:

- 101-191-934-000 Office Equipment Maintenance changed from \$3,618 to \$6,131.
- 101-191-982-000 Equipment changed from \$5,088 to \$2,977.

- 101-201-817-000 Consultant changed from \$40,000 to \$35,350.
- 614-105-811-000 Custodial changed from \$12,000 to \$15,000.

Finance Director/Treasurer Mark Pollock distributed updated proposed budget pages 106-118. Please see attached.

A recess was taken at 7:10 p.m. The work session reconvened at 7:16 p.m.

Mayor Pro Tem Dean thanked the Finance Department , Stan Lisica, Torri Mathes, and department directors for their hard work during a tough financial climate while continuing to deliver services to the residents of Berkley.

Mayor Pro Tem Dean reminded everyone about Berkley Days happening May 12-15, 2022 and thanked the Parks & Recreation Department for all of the employees hard work assisting with this event.

### **ADJOURN**

Councilmember Baker moved to adjourn the work session at 8:34 PM  
Seconded by Councilmember Gavin  
Ayes: Gavin, Hennen, Price, Vilani, Baker, and Dean  
Nays: None  
Absent: Terbrack  
Motion Approved.

---

Daniel J. Terbrack, Mayor

Attest:

---

Victoria Mitchell, City Clerk

BUDGET REPORT FOR CITY OF BERKLEY  
Fund: 592 WATER AND SEWER

Page: 106/162

Calculations as of 04/30/2022

GL NUMBER	DESCRIPTION	2019-20 ACTIVITY	2020-21 ACTIVITY	2021-22 ACTIVITY THRU 04/30/22	2021-22 AMENDED BUDGET	2021-22 PROJECTED ACTIVITY	2022-23 REQUESTED BUDGET	2023-24 REQUESTED BUDGET
Dept 001 - REVENUES								
ESTIMATED REVENUES								
FEDERAL AND STATE GRANTS								
592-001-539-000	STATE GRANTS	0	0	0	1,920	1,920	1,920	1,920
	(2022-23) WEST NILE REIMBURSEMENT - LARVICIDE PURCHASED FROM 592-536-758-000					0	1,920	0
FEDERAL AND STATE GRANTS		0	0	0	1,920	1,920	1,920	1,920
CHARGES FOR SERVICES								
592-001-642-000	WATER SALES	3,708,859	3,844,636	3,492,232	4,258,080	4,300,000	4,437,775	4,570,900
	(2022-23) WATER SALES					0	4,383,737	0
	(2022-23) WATER AND SANITARY GROSS SALES							
	(2022-23) SOCMA ESTIMATING FOR BERKLEY 0.98 MGD AND 3% RATE INCREASE							
	(2022-23) BERKLEY PROPOSING 4% WATER RATE INCREASE							
	(2022-23) WRC RELEASED RATE INCREASE FOR SANITARY 3.9%							
	(2022-23) BERKLEY PROPOSING 4.5% SANITARY RATE INCREASE							
	(2022-23) WATER (980,000/7.48 * 365) * 4.30 = \$2,094,553							
	(2022-23) SANITARY (980,000/7.48 * 365) * 4.90 = \$2,343,222							
592-001-642-001	NONRESIDENTIAL SURCHARGE (649)		35,951	36,857	37,468	37,800	39,464	40,640
	(2022-23) GLWA NONRESIDENTIAL TREATMENT COST					0	38,898	0
	(2022-23) GLWA RATE INCREASE OF 4.1% - BUDGET 4.5% RATE INCREASE							
	(2022-23) \$3,147.06 * 12 MONTHS * 1.045 = \$39,464							
592-001-642-002	FIXED WATER CHARGE	671,642	693,785	658,928	708,840	708,840	733,315	755,315
	(2022-23) FIXED WATER CHARGE/READY TO SERVE BY METER SIZE					0	733,315	0
	(2022-23) REPORT RUN BY METER SIZE ON 2/14/2022							
	(2022-23) BERKLEY PROPOSING 3% INCREASE							
	(2022-23) 3/4" \$24.48 X 6500 = \$159,120							
	(2022-23) 1" \$40.87 X 314 = \$12,833.31							
	(2022-23) 1.5" \$81.591 X 33 = \$2,692.47							
	(2022-23) 2" \$130.54 X 33 = \$4,307.82							
	(2022-23) 3" \$285.57 X 7 = \$1,998.99							
	(2022-23) 4" \$475.28 X 5 = \$2,376.40							
	(2022-23) TOTAL 6,892 METERS \$183,328.99 X 4 QTRS							
592-001-642-003	STORM UTILITY CHARGE	2,357,493	2,411,298	2,352,662	2,508,653	2,508,000	2,618,742	2,697,400
	(2022-23) STORM UTILITY CHARGE					0	2,618,742	0
	(2022-23) STORM SEWER GROSS SALES							
	(2022-23) WRC RELEASED RATE INCREASE OF 4.1%							
	(2022-23) BERKLEY PROPOSING 4.5% RATE INCREASE							
	(2022-23) ERU COUNT AS OF 2/14/2022 IS 8,681.68							
	(2022-23) 8681.68 * 75.41 * 4							

BUDGET REPORT FOR CITY OF BERKLEY  
Fund: 592 WATER AND SEWER

Page: 108/162

Calculations as of 04/30/2022

GL NUMBER	DESCRIPTION	2019-20 ACTIVITY	2020-21 ACTIVITY	2021-22 ACTIVITY THRU 04/30/22	2021-22 AMENDED BUDGET	2021-22 PROJECTED ACTIVITY	2022-23 REQUESTED BUDGET	2023-24 REQUESTED BUDGET
Dept 536 - WATER & SEWER SERVICE								
APPROPRIATIONS								
SALARIES AND FRINGE BENEFITS								
592-536-704-000	FULL TIME EMPLOYEES	43,379	44,149	38,736	44,893	44,893	45,791	46,707
592-536-706-000	LABORERS (2022-23) INCLUDES WATER LICENSE STIPEND \$4,000	175,816	185,714	165,338	187,028	187,028	211,424	215,577
592-536-707-000	PART TIME EMPLOYEES	15,401	19,688	16,484	31,772	20,000	38,250	38,565
	(2022-23) PART TIME OFFICE STAFF					0	15,750	0
	(2022-23) PART TIME WATER & SEWER GL # FOOTNOTE TOTAL:					0	22,500	0
							38,250	
592-536-709-000	OVERTIME	30,037	28,489	27,373	40,000	35,000	35,000	35,000
	(2022-23) 3 YR AVG - WATER MAIN BREAKS, EMERGENCY MISS DIGS, WATER SHUT-OFFS, ETC					0	35,000	0
592-536-715-000	FICA	20,610	21,145	18,825	23,464	21,950	25,733	26,144
592-536-716-001	HDLO RETIREES	2,360	0	0	0	0	0	0
592-536-718-005	RETIREMENT - NET PENSION LIABILITY	(174,328)	(94,015)	0	0	0	0	0
592-536-721-000	ANNUAL LEAVE	6,428	(771)	0	0	0	0	0
592-536-722-000	SICK LEAVE	(1,559)	4,406	0	0	0	0	0
592-536-723-100	OPFB EXPENSE	105,392	(64,126)	0	0	0	0	0
592-536-725-000	WORKERS COMP	24,542	19,317	3,931	33,400	33,400	34,068	34,750
592-536-727-100	INTERNAL SVCS - LABOR & ADMIN	350,000	360,000	270,000	360,000	360,000	400,000	400,000
	<b>SALARIES AND FRINGE BENEFITS</b>	<b>598,078</b>	<b>523,996</b>	<b>540,687</b>	<b>720,557</b>	<b>702,271</b>	<b>790,271</b>	<b>796,743</b>
MATERIALS AND SUPPLIES								
592-536-728-000	OFFICE SUPPLIES	100	409	117	500	500	500	500
592-536-729-000	STATIONARY	3,264	5,804	3,659	5,000	6,000	7,000	7,000
	(2022-23) QUARTERLY UTILITY BILLING STOCK PAPER AND ENVELOPES					0	7,000	0
592-536-730-000	POSTAGE-PRINTING-MAILING	12,995	13,193	10,366	16,803	16,000	17,524	17,524

BUDGET REPORT FOR CITY OF BERKLEY  
Fund: 592 WATER AND SEWER

Page: 110/162

Calculations as of 04/30/2022

GL NUMBER	DESCRIPTION	2019-20 ACTIVITY	2020-21 ACTIVITY	2021-22 ACTIVITY THRU 04/30/22	2021-22 AMENDED BUDGET	2021-22 PROJECTED ACTIVITY	2022-23 R&REQUESTED BUDGET	2023-24 REQUESTED BUDGET
Dept 536 - WATER & SEWER SERVICE								
APPROPRIATIONS								
CONTRACTUAL SERVICES								
	(2022-23) RADIO READ METER ASSISTANCE					0	7,000	0
	(2022-23) MDEQ COMMUNITY WATER SUPPLY ANNUAL FEE IN NOV					0	5,900	0
	(2022-23) RCOC ANNUAL ROW PERMIT FEE FOR UTILITY WORK					0	1,300	0
	(2022-23) EGLE REQUIRED LEAD SERVICE LINE REPLACEMENTS 7,000 * 15 * 8 MONTHS					0	840,000	0
	(2022-23) EGLE REQUIRED LEAD SERVICE LINE VERIFICATIONS 350 * 1,000					0	350,000	0
	(2022-23) VACTOR RENTAL FOR CB CLEANING (EVERY 2YEARS)					0	30,000	0
	GL # FOOTNOTE TOTAL:						1,259,200	
592-536-821-000	ENGINEER	42,462	28,811	105,356	426,000	426,000	335,000	335,000
	(2022-23) WATER MAIN PROJECT-NO ROADWORK					0	300,000	0
	(2022-23) ARCGIS PROGRAMS, APPLICATIONS AND ASSISTANCE					0	25,000	0
	(2022-23) CITY WIDE ROAD & WM IMPROVEMENTS-PLANNING, ESTIMATES, ETC					0	5,000	0
	(2022-23) WATER MAIN ASSET MANAGEMENT PLAN UPDATES					0	5,000	0
	GL # FOOTNOTE TOTAL:						335,000	
592-536-822-000	CROSS CONNECTIONS	19,896	21,121	15,242	28,000	24,000	24,400	24,400
	(2022-23) THIRD PARTY ASSISTANCE WITH REQUIRED CROSS CONNECTIONS CONTROL PROGRAM \$1,700* 12					0	20,400	0
	(2022-23) BACKFLOW/CROSS CONNECTION SUPPLIES, TESTING EQUIP., FLYERS, ETC					0	2,000	0
	(2022-23) CROSS CONNECTION TESTING OF CITY FACILITIES					0	2,000	0
	GL # FOOTNOTE TOTAL:						24,400	
592-536-830-000	DEM CONTRACTUAL	46,792	48,390	30,315	40,000	45,000	50,000	50,000
	(2022-23) HAULING AND DISPOSAL OF SPOILS AND CONCRETE FROM WATER MAIN AND PUBLIC UTILITY REPAIRS					0	50,000	0
	(2022-23) PURCHASE OF SAND, GRAVEL, CRUSHED CONCRETE AND LIMESTONE							
592-536-835-000	MEDICAL EXPENSES	514	541	793	800	800	800	800
	(2022-23) MEDICAL EXPENSES SPLIT WITH 101-441-835-000							
	(2022-23) PRE EMPLOYMENT PHYSICALS \$200							
	(2022-23) DOT PHYSICALS 5 * \$200 = \$1,000							
	(2022-23) MISC. INJURY VISITS \$200							
	(2022-23) RANDOM DRUG TESTS \$200							

BUDGET REPORT FOR CITY OF BERKLEY  
Fund: 592 WATER AND SEWER

Page: 112/162

Calculations as of 04/30/2022

GL NUMBER	DESCRIPTION	2019-20 ACTIVITY	2020-21 ACTIVITY	2021-22 ACTIVITY THRU 04/30/22	2021-22 AMENDED BUDGET	2021-22 PROJECTED ACTIVITY	2022-23 REQUESTED BUDGET	2023-24 REQUESTED BUDGET
Dept 536 - WATER & SEWER SERVICE								
APPROPRIATIONS								
UTILITIES								
		7,146	10,038	9,218	11,110	11,060	11,660	11,660
OTHER CHARGES								
592-536-939-000	VEHICLE MAINTENANCE	25,237	24,453	23,943	40,000	25,000 0	25,000 25,000	25,000 0
	(2022-23) OUTSIDE REPAIRS FOR VACTOR AND SEWER CAMERA - 3 YR AVG							
592-536-940-001	EQUIPMENT RENTAL - VENDOR	332	3,200	625	2,000	2,000 0	2,000 2,000	2,000 0
	(2022-23) CONTINGENCY FOR RENTAL OF EQUIPMENT (GENERATORS, LIGHTS, EXTRA ARROW BOARDS, ETC)							
592-536-946-000	OFFICE EQUIPMENT RENTAL	3,904	4,120	3,202	4,380	4,220 0	4,220 4,220	4,220 0
	(2022-23) OFFICE EQUIPMENT RENTAL 50/50 WITH 101-441-946-000							
	(2022-23) ESTIMATE FOR COPIER IS \$80/MO - \$80 * 12 = \$960 USE \$480 HERE							
	(2022-23) 100 % OF FOLDER/INSERTER TERM RENTAL \$930 * 4 QTRS = \$3,720							
592-536-960-000	PROFESSIONAL DEVELOPMENT	4,425	105	2,349	4,900	4,900 0	6,900 4,000	6,900 0
	(2022-23) DIRECTOR AND CERTIFIED OPERATORS (PROJECT B TOTAL)- ANNUAL RENEWAL CHARGE							
	(2022-23) AND TRAINING NECESSARY TO MAINTAIN WATER LICENSES							
	(2022-23) ANNUAL STATE APWA CONFERENCE IN MAY					0	900	0
	(2022-23) NASSCO SENR TRAINING COURSES - 2 EMPLOYEES					0	2,000	0
	GL # FOOTNOTE TOTAL:						6,900	
OTHER CHARGES		33,898	31,878	30,119	51,280	36,120	38,120	38,120
CAPITAL OUTLAY								
592-536-968-000	DEPRECIATION	476,420	525,003	0	600,000	600,000	600,000	600,000
592-536-975-000	CONSTRUCTION	0	0	0	750,000	1,550,000 0	1,550,000 1,550,000	1,550,000 0
	(2022-23) WATER MAIN PROJECT-NO ROADWORK							
	(2022-23) WATER MAIN PROJECT- TO BE COMBINED WITH ROAD MILLAGE							
592-536-976-000	BUILDING IMPROVEMENTS	0	0	9,004	1,077,000	1,050,000	0	0
592-536-982-000	CONCRETE REPAIR	0	0	128,862	130,000	150,000 0	100,000 100,000	100,000 0
	(2022-23) HARDSCAPE RESTORATION FROM UNDERGROUND UTILITY WORK							
592-536-982-592	EQUIPMENT	119,878	47,221	236,148	410,000	410,000	195,000	195,000

BUDGET REPORT FOR CITY OF BERKLEY  
Fund: 592 WATER AND SEWER

Page: 114/162

Calculations as of 04/30/2022

GL NUMBER	DESCRIPTION	2019-20 ACTIVITY	2020-21 ACTIVITY	2021-22 ACTIVITY THRU 04/30/22	2021-22 AMENDED BUDGET	2021-22 PROJECTED ACTIVITY	2022-23 REQUESTED BUDGET	2023-24 REQUESTED BUDGET
Dept 536 - WATER & SEWER SERVICE								
APPROPRIATIONS								
CAPITAL OUTLAY								
	CAPITAL OUTLAY	611,302	593,933	687,507	3,339,800	4,232,800	2,962,800	2,942,800
	TOTAL APPROPRIATIONS	3,378,349	3,348,181	3,048,795	7,167,358	7,899,362	7,614,716	7,333,740
	NET OF REVENUES/APPROPRIATIONS - 536 - WATER & SEWER	(3,378,349)	(3,348,181)	(3,048,795)	(7,167,358)	(7,899,362)	(7,614,716)	(7,333,740)



BUDGET REPORT FOR CITY OF BERKELEY  
Fund: 592 WATER AND SEWER

Page: 116/162

Calculations as of 04/30/2022

GL NUMBER	DESCRIPTION	2019-20 ACTIVITY	2020-21 ACTIVITY	2021-22 ACTIVITY THRU 04/30/22	2021-22 AMENDED BUDGET	2021-22 PROJECTED ACTIVITY	2022-23 REQUESTED BUDGET	2023-24 REQUESTED BUDGET
Dept 537 - STORM SEWER SYSTEM								
APPROPRIATIONS								
CAPITAL OUTLAY								
	CAPITAL OUTLAY	0	0	0	0	0	100,000	100,000
DEBT SERVICE								
592-537-992-000	INTEREST EXPENSE	55,869	44,470	35,709	35,677	35,677	23,800	14,110
592-537-993-000	DEBT PRINCIPAL	0	1	492,761	492,759	0	0	0
	DEBT SERVICE	55,869	44,471	528,470	528,436	35,677	23,800	14,110
	TOTAL APPROPRIATIONS	2,216,308	1,908,946	2,038,806	2,472,527	1,979,548	2,150,197	2,199,526
NET OF REVENUES/APPROPRIATIONS - 537 - STORM SEWER SY		(2,216,308)	(1,908,946)	(2,038,806)	(2,472,527)	(1,979,548)	(2,150,197)	(2,199,526)

BUDGET REPORT FOR CITY OF BERKLEY  
Fund: 592 WATER AND SEWER

Page: 110/162

Calculations as of 04/30/2022

GL NUMBER	DESCRIPTION	2019-20 ACTIVITY	2020-21 ACTIVITY	2021-22 ACTIVITY THRU 04/30/22	2021-22 AMENDED BUDGET	2021-22 PROJECTED ACTIVITY	2022-23 REQUESTED BUDGET	2023-24 REQUESTED BUDGET
Dept 952 - ACTIVE EMPLOYEE BENEFITS								
APPROPRIATIONS								
SALARIES AND FRINGE BENEFITS								
592-952-716-000	DENTAL/VISION/LIFE-LTD/RICS	10,619	8,120	11,396	13,500	13,500	14,000	14,500
592-952-716-500	HEALTH CARE COSTS - BC/BS	88,020	170,832	141,215	210,000	210,000	210,000	210,000
592-952-716-718	HEALTH BENEFITS-MERS RHEV RETIREES	18,000	5,000	0	0	0	10,000	10,000
592-952-718-000	RETIREMENT-DB MERS	29,099	25,596	19,757	30,200	30,200	31,700	32,900
592-952-718-003	PENSION EXPENSE - MERS RETIREMENT-	204,373	235,883	140,654	215,000	215,000	220,000	225,000
SALARIES AND FRINGE BENEFITS		350,171	445,431	313,022	468,700	468,700	485,700	492,400
TOTAL APPROPRIATIONS		350,171	445,431	313,022	468,700	468,700	485,700	492,400
NET OF REVENUES/APPROPRIATIONS - 952 - ACTIVE EMPLOYE		(350,171)	(445,431)	(313,022)	(468,700)	(468,700)	(485,700)	(492,400)
ESTIMATED REVENUES - FUND 592		6,940,459	7,154,379	6,749,329	7,769,751	7,803,060	8,083,007	8,318,262
APPROPRIATIONS - FUND 592		5,944,828	5,702,559	5,418,133	10,508,585	10,747,610	10,650,613	10,475,666
NET OF REVENUES/APPROPRIATIONS - FUND 592		995,631	1,451,821	1,331,196	(2,738,834)	(2,944,550)	(2,567,606)	(2,157,404)
BEGINNING FUND BALANCE		16,686,983	17,682,614	19,134,433	19,134,433	19,134,433	16,189,883	13,622,277
FUND BALANCE ADJUSTMENTS		0	(1)	0	0	0	0	0
ENDING FUND BALANCE		17,682,614	19,134,434	20,465,629	16,395,599	16,189,883	13,622,277	11,464,873

**A RESOLUTION**

**of the Council of the City of Berkley, Michigan**  
**authorizing the West Nile Virus**  
**Expense Reimbursement Request**

**WHEREAS,** Upon the recommendation of the Oakland County Executive, the Oakland County Board of Commissioners has established a West Nile Virus Reimbursement Program to assist Oakland County cities, villages, and townships in addressing mosquito control activities; and

**WHEREAS,** Oakland County's West Nile Virus Fund Program authorizes Oakland County cities, villages, and townships to apply for reimbursement of eligible expenses including mosquito larvicide material charges; and

**WHEREAS,** the City of Berkley, Oakland County, Michigan has incurred expenses in connection with mosquito control activities believed to be eligible for reimbursement under Oakland County's 2022 West Nile Virus Reimbursement Program.

**NOW, THEREFORE, THE CITY OF BERKLEY RESOLVES:**

That the Mayor and City Council authorize the Director of Public Works, as an agent for the City of Berkley, to request reimbursement of eligible mosquito control material expenses under Oakland County's 2022 West Nile Virus Fund Program.

Introduced and Passed at a Regular City Council Meeting on Monday, June 6, 2022.

\_\_\_\_\_  
Daniel Terbrack, Mayor

Attest:


\_\_\_\_\_  
Victoria Mitchell, City Clerk

I, Victoria Mitchell, being duly appointed City Clerk of the City of Berkley, hereby certify that this is a true and correct copy of Resolution **No. R-10-22**, which was approved by the Berkley City Council at its regular meeting held on Monday, June 6, 2022.

\_\_\_\_\_  
Victoria Mitchell, City Clerk



## Transmittal Memo

To: Matthew Baumgarten, City Manager (via email)  
From: Shawn Young, DPW Director   
Date: May 10<sup>th</sup>, 2022  
Subject: 2022 Oakland County West Nile Virus Reimbursement Program  
Resolution for May 16th, 2022 City Council Meeting

As part of our participation in the 2021 Oakland County West Nile Virus Reimbursement Program, we are required to provide the attached resolution to the County by mid-June. This resolution authorizes staff to request reimbursement of program supplies.

On March 29<sup>th</sup>, 2022 the DPW submitted a West Nile Project Plan to Oakland County which outlined the planned activities for the calendar year. Our program focuses on the reduction of the Culex mosquito population by limiting breeding sites within the public right-of-way. This is accomplished each spring via the placement of larvicide tablets in approximately 1,600 storm structures (catch basins).

Berkley switches product every few years to reduce the likelihood of material resistance. The current larvicide is Altosid XR as supplied by Clarke Mosquito Control. The extended release tablets have a 150 day residual providing coverage throughout the summer and early fall.

The Oakland County Program provides for a partial reimbursement of our material costs based on population and road mileage. We anticipate a reimbursement of \$1844.72 for calendar year 2022. See table below for a history of reimbursements:

### PROGRAM FUNDING HISTORY

PROGRAM YEAR	REIMBURSEMENT
2012	\$2,093.68
2013	\$2,010.84
2014	\$1,920.35
2015	\$1,920.35
2016	\$3,116.80
2017	\$1,920.35
2018	\$1,920.35
2019	\$1,920.35
2020	\$1,920.35
2021	\$1,920.35
2022	\$1844.72

Feel free to call with any questions or concerns. Thank you.

# WEST NILE VIRUS

## *What You Need to Know*



### WHAT IS WEST NILE VIRUS (WNV)?

West Nile virus (WNV) is a seasonal epidemic in North America that flares up in the summer and continues into the fall. It can infect humans, birds, horses, and some other mammals. In a small number of people infected by the virus, the disease can be serious, even fatal.

### HOW IS WNV SPREAD?

- WNV is most often spread to humans by the bite of an infected mosquito. The mosquito becomes infected by biting a bird that carries the virus. Horses and other mammals bitten by mosquitoes that carry the virus can also become infected. Whenever mosquitoes are active, there is a risk of getting WNV; however, the risk is highest from late July through September.
- In a very small number of cases, WNV has been spread through blood transfusions, organ transplants, breastfeeding, and during pregnancy from mother to baby.
- WNV is **not** spread through casual contact such as touching or kissing a person with the virus.

### WHAT ARE THE SYMPTOMS OF WEST NILE VIRUS?

If symptoms develop, they typically appear 3 to 14 days after the bite of an infected mosquito.

- **Serious symptoms in a few people.** About one in 150 people infected with WNV will develop severe illness. Symptoms can include high fever, headache, neck stiffness, stupor, disorientation, coma, tremors, convulsions, muscle weakness, vision loss, numbness, and paralysis. These symptoms may last several weeks, and neurological effects may be permanent.
- **Mild symptoms in some people.** Up to 20% of people who become infected display symptoms such as headache, body aches, joint pains, vomiting, diarrhea, rash, and swollen lymph glands. Most people with mild illness recover completely, but fatigue and weakness can last for weeks or months.
- **No symptoms in most people.** Most people (80%) infected with WNV do not have any symptoms.

### WHAT IS THE TREATMENT FOR WNV?

There is no treatment for WNV infection. Illness may last weeks to months, even in healthy persons. In more severe cases people may need hospital care for supportive treatment such as intravenous fluids, pain medications, and nursing care.

### WHAT SHOULD I DO IF I THINK I HAVE WNV?

Mild WNV illness usually improves without medical attention. Seek medical attention immediately if symptoms of severe WNV illness develop, such as unusually severe headaches or confusion; this may indicate encephalitis (inflammation of the brain) or meningitis (inflammation of the membranes that surround the brain and spinal cord). Severe WNV illness usually requires hospitalization. Pregnant women and nursing mothers who develop symptoms that could be WNV are encouraged to see their health care provider.

### WHO IS AT RISK OF GETTING SICK FROM WNV?

- People over the age of 50 years are more likely to have serious illness with WNV and should take special care to avoid mosquito bites.

- Being outside increases the risk of being bitten by an infected mosquito. Taking steps to avoid mosquito bites when outside working, playing or relaxing will lower your risk of getting sick from WNV.
- The risk of getting WNV through blood transfusions and organ transplants is very small and should not prevent people from having surgery. All donated blood is screened for WNV (and many other viruses) before being used. If you have concerns, talk with your health care provider.
- Pregnancy and nursing do not increase the risk of becoming ill from WNV, and the risk that WNV may pass to a fetus or an infant through breastmilk is still being evaluated. Talk with your health care provider if you have concerns.

## HOW CAN WEST NILE VIRUS BE PREVENTED?

The best way to prevent EEE infection is to prevent mosquitoes from biting you.

- Use Environmental Protection Agency (EPA)-registered insect repellent.
  - All EPA-registered insect repellents are evaluated for safety and effectiveness, and will contain DEET, picaridin, IR3535, Oil of Lemon Eucalyptus or para-menthane-diol as the active ingredient. Repellents containing a higher percentage of the active ingredient typically provide longer-lasting protection. Always follow the product label instructions.
  - Be careful using repellent on the hands of children as it may irritate the eyes and mouth.
- Get rid of mosquito breeding sites by removing standing water around your home:
  - Turn over any type of container that can collect water. Once a week, empty out items that hold water such as tires, buckets, planters, toys, pools, birdbaths, pet bowls, flowerpots, and trash containers.
  - Clean clogged roof gutters, particularly if leaves tend to plug up the drains.
- Treat standing water that cannot be eliminated, such as retention ponds or drainage ditches, with a mosquito larvicide. Mosquito larvicide is easy to use and can be purchased at most home improvement stores.
- Wear protective clothing such as long-sleeved shirts and pants.
- Limit outdoor activity from dusk to dawn when mosquitoes are most active.
- Maintain window and door screens to keep mosquitoes out of buildings. Do not prop open doors.

20-001, Rev. 3/23/2022

NURSE ON CALL PUBLIC HEALTH INFORMATION  
800.848.5533 NOC@OAKGOV.COM

OAKGOV.COM/HEALTH



The Oakland County Health Division will not deny participation in its programs based on race, sex, religion, national origin, age or disability. State and federal eligibility requirements apply for certain programs.

**A PROCLAMATION**  
**of the Council of the City of Berkley, Michigan**  
**Declaring June 19, 2022, to be Juneteenth Celebration Day**

P-20-22

- WHEREAS,** Juneteenth is a holiday marking the end of slavery in the United States; and
- WHEREAS,** The State of Michigan began recognizing Juneteenth as an official state holiday in June 2005 with the passage of PA 48 of 2005; and
- WHEREAS,** Millions of African-Americans were captured and brought to this country as slaves in the inhumane conditions of slave ships that sailed across the Atlantic Ocean; and
- WHEREAS,** While approximately 11.5 million African-Americans survived the inhumane conditions, it is acknowledged that many millions of African-Americans did not survive the passage; and
- WHEREAS,** It is recognized that slavery then existed in this country for more than 200 years until the United States Congress passed the Thirteenth Amendment of the Constitution, abolishing slavery throughout the country, on January 31, 1865; and
- WHEREAS,** Union Army General Gordon Granger arrived in Galveston, Texas several months after the passage of the amendment, and one of his first actions was to read General Order #3, which stated that all slaves are free and that former masters and slaves have absolute equality of personal and property rights; and
- WHEREAS,** Following General Granger's reading of General Order #3 celebrations erupted as slaves learned of their freedom, and subsequently, June 19<sup>th</sup> (Juneteenth) became the emancipation date for those long-suffering for freedom; and
- WHEREAS,** Since then, Juneteenth has been known as the oldest celebration commemorating the end of slavery in the United States; and
- WHEREAS,** This tradition of celebration has remained strong in recognizing the great triumph against the cruelty of slavery, and honoring and respecting the strength, endurance, and immense resilience of all African-American ancestors who endured the shackles of slavery and those who persevered to see its end; and
- WHEREAS,** citizens must join together to acknowledge the history of slavery and the oppression which followed its ending, and to further carry forward the ideals of equality and democracy for all regardless of a person's racial identity.

**NOW, THEREFORE, THE COUNCIL OF THE CITY OF BERKLEY HEREBY PROCLAIMS**

**SECTION 1:** That June 19, 2022, is hereby declared as *Juneteenth Celebration Day* in the City of Berkley.

**SECTION 2:** The City of Berkley calls upon the community to pause and reflect on this nation's history of slavery and oppression, to celebrate the progress made thus far in ending slavery and the equal rights milestones that have followed, and to acknowledge that more progress must be made to ensure those Americans of African descent are truly free and equal as we move toward a brighter future.

*Proclaimed this 6<sup>th</sup> day of June 2022 at a Regular Meeting of the Berkley City Council.*

\_\_\_\_\_  
*Daniel J. Terbrack, Mayor*

Attest:

\_\_\_\_\_  
*Victoria Mitchell, City Clerk*

**A PROCLAMATION**  
**of the Council of the City of Berkley, Michigan**  
**Declaring the week of June 19-25, 2022**  
**As Lightning Safety Week**

- WHEREAS,** According to the National Weather Service lightning kills an average of 49 people and injures hundreds more each year in the United States; and
- WHEREAS,** Every summer the state of Michigan experiences severe thunderstorms which produce lightning strikes that can cause property damage and personal injury; and
- WHEREAS,** With rising global temperatures the likelihood of severe weather events that produce lightning increases; and
- WHEREAS,** When residents are educated on how to remain safe during lightning-producing storms it saves countless lives and reduces injuries.

**NOW, THEREFORE, THE COUNCIL OF THE CITY OF BERKLEY HEREBY PROCLAIMS**

- SECTION 1:** That the week of June 19-25, 2022 shall be recognized as *Lightning Safety Week* in the City of Berkley and urges all citizens, government agencies, public and private institutions, businesses, and schools to commit to learning and sharing proper safety and emergency procedures.
- SECTION 2:** That the City Council directs the City Administration to actively share and communicate information on how residents can remain safe during lightning-producing storm events.

*Proclaimed this 6<sup>th</sup> day of June 2022 at a Regular Meeting of the Berkley City Council.*

Attest:

\_\_\_\_\_  
*Daniel J. Terbrack, Mayor*

\_\_\_\_\_  
*Victoria Mitchell, City Clerk*



**CITY OF BERKLEY, MICHIGAN  
OATH OF OFFICE**

***Jean-Pierre Cormier***

*I, Jean-Pierre Cormier, having been duly appointed as Public Safety Officer for the City of Berkley, do hereby solemnly swear that I will support the Constitution of the United States, the Constitution of the State of Michigan, the Charter of the City of Berkley, and that I will perform the duties of my office to the best of my ability.*

---

*Jean-Pierre Cormier*

*Subscribed and sworn to before me  
this 6<sup>th</sup> day of June, 2022.*

---

*Victoria Mitchell  
City Clerk*

**A RESOLUTION**  
**of the Council of the City of Berkley, Michigan**  
**Recognizing Maureen Monte for her service and dedication to the**  
**Berkley Public Safety Department and awarding her with the**  
**Berkley Public Safety Civilian Citation Award 2022**

**WHEREAS,** Maureen Monte is a Berkley resident, leadership team building consultant, and renowned author of Destination Unstoppable and Win Like A Girl; and

**WHEREAS,** Over the last three years, Maureen has graciously donated countless hours working with the Berkley Department of Public Safety by guiding our command staff through Strength Finder and other leadership development workshops, to further help the management team understand how to harness each officer's talents; and

**WHEREAS,** Maureen has also worked with our executive staff on truly defining Public Safety's mission, goals, and objectives for both the short- and long-term vision(s) of the department; and

**WHEREAS,** Public Safety has also benefited from Ms. Monte volunteering as the department's personal photographer whenever needed; and

**WHEREAS,** Maureen's reliability and dedication were even more evident through her support of the department's newly established K-9 Program; and

***Now, Therefore, the City of Berkley Resolves:***

**Section 1:** *That the City Council does hereby recognize and honor*

***Maureen Monte***

*For the extraordinary service, effort, dedication, and selflessness that Ms. Maureen Monte has shown throughout her time in Berkley and specifically the work she has donated to the Berkley Public Safety Department.*

*Introduced and passed at a Regular City Council Meeting on Monday, June 6, 2022.*

Attest:

---

*Daniel J. Terbrack, Mayor*

---

*Victoria Mitchell, City Clerk*

June 6, 2022 City Council Meeting

Moved by Councilmember \_\_\_\_\_ and seconded by Councilmember \_\_\_\_\_ to approve the purchase of Next Generation 911 Equipment and Services from Motorola Solutions, Inc. f/k/a Emergency CallWorks, Inc. ("MSI" or "ECW") 1900 International Park Dr Ste 300, Birmingham, AL 35243 at a cost of \$54,946 from the Dispatch Equipment Account #101-306-982-000.

Ayes:

Nays:

Motion:



City of Berkley  
Department of Public Safety



INTEROFFICE CORRESPONDENCE

**DATE:** May 26, 2022  
**TO:** Matthew Baumgarten, City Manager  
**FROM:** Matt Koehn, Director of Public Safety *MK*  
**SUBJECT:** REQUEST TO PURCHASE NEXT GENERATION 911 EQUIPMENT AND SERVICE

The Department of Public Safety's FY 2022-2023 budget includes funds to replace the current 911 equipment with Next Generation 911 (NG911) Equipment and Services as mandated by CLEMIS. The NG911 system includes updated software and hardware to answer 911 calls, non-emergency calls, and text to 911 messages in the BDPS Public Safety Answering Point (PSAP) to include calls from Berkley, Huntington Woods, and Pleasant Ridge.

Oakland County has negotiated a purchase contract with Motorola Solutions, Inc. f/k/a Emergency CallWorks, Inc. ("MSI" or "ECW") to purchase the Next Generation 911 (NG911) Equipment and Services. The total cost for this equipment for BDPS is \$54,946.

See attached for further details.

The Department requests to purchase of Next Generation 911 Equipment and Services from Motorola Solutions, Inc. f/k/a Emergency CallWorks, Inc. ("MSI" or "ECW") 1900 International Park Dr Ste 300 Birmingham, AL 35243 at a cost of \$54,946 from the Dispatch Equipment Account #101-306-982-000.

## CONTRACT FOR THE PURCHASE OF NG9-1-1 EQUIPMENT AND SERVICES

The Parties hereby enter into this contract, effective on April 4, 2022 ("Effective Date"), between Motorola Solutions, Inc. f/k/a Emergency CallWorks, Inc. ("MSI" or "ECW") and Berkley Dept. Of Public Safety ("Berkley Dept. Of Public Safety"), for the purchase of Next Generation 911 Equipment and Services ("End User Contract").

Whereas, MSI and the County of Oakland, MI, entered into a Contract (No. 004698) for the purchase of Next Generation 911 Equipment and Services ("Contract"), which was amended (under Amendment 3) December 18, 2020 to, among other things, update Exhibit VI to reflect new pricing for Non-Oakland County users and extend the term of the Contract through January 31, 2026. A copy of the Contract and Amendment 3 (collectively referred to herein as the "Primary Contract") is attached hereto and incorporated herein by reference as Exhibit A.

For an amount not to exceed \$54,946.00, Berkley Dept. Of Public Safety agrees to abide by the terms and conditions of the Primary Contract, including its Exhibits, and whenever "County" is referred to in the Primary Contract, and only for purposes of this End User Contract, it will have the same effect as referring to Berkley Dept. Of Public Safety, except as set forth below:

1. **Section 5.1 of the Contract shall be replaced in its entirety with the following:**
  - a. **Performance of Deliverables.** Contractor shall provide all Deliverables and Equipment identified in and as set forth in Exhibits II and VI or any Amendments to the Primary Contract.
2. **Section 5.2 of the Contract is hereby deleted for purposes of this End User Contract.**
3. **Section 5.4 of the Contract shall be replaced in its entirety with the following:**
  - a. **Financial Obligations.** Except as otherwise set forth in this End User Contract, Berkley Dept. Of Public Safety sole financial obligation hereunder shall be set forth Exhibits IV and VI of the Primary Contract. The amount and manner of payment of the financial obligation shall be a Purchase Order based on its respective amount in Exhibit VI of the Primary Contract.
4. **Section 5.5 of the Primary Contract shall be replaced in its entirety with the following:**
  - a. **Payment Obligations.** Except as otherwise set forth in Exhibits II, IV and VI, Contractor shall submit an invoice to Berkley Dept. Of Public Safety Contract Administrator, or equivalent, itemizing amounts due and owing under this Contract, as of the date of the invoice. Invoices shall contain the following information: (a) County Contract Number; (b) itemized list of Deliverables; (c) Contractor Tax ID Number (federal and State); and (d) any other information reasonably requested by Berkley Dept. Of Public Safety shall have no obligation to make a payment under this End User Contract until an invoice is submitted in the form set forth herein and shall have no obligation to pay for Deliverables, which have not been invoiced (as required herein). Unless otherwise set forth in Exhibit II, Berkley Dept. Of Public Safety shall only pay Contractor for Deliverables under this End User Contract and not any subcontractors or assignees of Contractor.

5. **Section 7.4 of the Primary Contract shall be replaced in its entirety with the following:**

a. **Limitation of Liability.** Except for Claims resulting in personal injury or death, Contractor's total liability, whether for breach of contract, warranty, negligence, strict liability in tort, indemnification, or otherwise, will be limited to the direct damages recoverable under law, but not to exceed One Hundred Twelve Thousand Dollars (\$54,946.00). ALTHOUGH THE PARTIES ACKNOWLEDGE THE POSSIBILITY OF SUCH LOSSES OR DAMAGES, THEY AGREE THAT NEITHER PARTY WILL BE LIABLE FOR ANY COMMERCIAL LOSS; INCONVENIENCE; LOSS OF USE, TIME, DATA, GOOD WILL, REVENUES, PROFITS OR SAVINGS; OR OTHER SPECIAL, INCIDENTAL, INDIRECT, OR CONSEQUENTIAL DAMAGES IN ANY WAY RELATED TO OR ARISING FROM THIS CONTRACT, THE SALE OR USE OF THE DELIVERABLES OR SOFTWARE, OR THE PERFORMANCE OF SERVICES BY CONTRACTOR PURSUANT TO THIS CONTRACT. This limitation of liability provision survives the expiration or termination of the Contract and applies notwithstanding any contrary provision.

6. **Berkley Dept. Of Public Safety hereby agrees to abide by the terms, conditions, limitations and restrictions contained in Exhibit III (Software License Agreement) of the Primary Contract and further agrees and acknowledges that:**

- a. The County of Oakland is purchasing and is thereby granted all personal, limited, non-transferable and non-exclusive Software licenses under the Primary Contract as more fully described in Section 3 of Exhibit III.
- b. Berkley Dept. Of Public Safety will not be a Licensee of the Software under the Primary Contract.
- c. Berkley Dept. Of Public Safety is a user of the Software under the Primary Contract.

7. **Exhibit IV – Maintenance Agreement of the Primary Contract, is hereby modified as follows:**

- a. Section 2.1 is hereby replaced with the following:
  - i. Fees for services under this Agreement are set forth in Amendment 3 to the Primary Contract (see Exhibit A).
- b. Section 3.3 is not applicable to this Contract.
- c. Schedule A – "7x24x365 Service – 4-hour On-Site Response Fee Schedule" shall be in accordance with Exhibits II & VI of the Primary Contract.
- d. Schedule A – "Spare Parts Kit – COUNTY Site Location(s)" is not applicable to this Contract.

The Parties hereby enter into this End User Contract as of the Effective Date.

**Motorola Solutions, Inc.**

**Berkley Dept. Of Public Safety**

By: \_\_\_\_\_

By: \_\_\_\_\_

Name: \_\_\_\_\_

Name: Matt Koehn

Title: \_\_\_\_\_

Title: Director of Public Safety

Date: \_\_\_\_\_

Date: April 4, 2022



Information Technology/Corporation Counsel

RLB

**AMENDMENT OF CONTRACT 004698****AMENDMENT 03****AMENDMENT DATE: December 18, 2020**

This AMENDMENT OF CONTRACT (hereafter this "Amendment") is made and entered into by and between the Contractor named and identified below, (hereafter "Contractor") and the COUNTY OF OAKLAND (hereafter "County") whose address is 2100 Pontiac Lake Rd, Waterford, MI 48328.

CONTRACTOR	ADDRESS
Emergency CallWorks	1900 International Park Dr Ste 300
Vendor Number: 20240	Birmingham, AL 35243

The County and Contractor agree and acknowledge that the purpose of this Amendment is to modify as provided herein and otherwise continue the present contractual relationship between the Parties as described in their current contract with the same contract number as above.

In consideration of the extension of the mutual promises, representations, assurances, agreements, and provisions in the Contract and this Amendment, the adequacy of which is hereby acknowledged by the Parties, the County and Contractor hereby agrees to amend the current Contract as follows:

- 1.0 The County and Contractor agree that any and all defined words or phrases in the current Contract between the parties will apply equally to and throughout the amendment.
- 2.0 The Parties agree that any and all other terms and conditions set forth in the current Contract between the Parties shall remain in full force and effect and shall not be modified, excepted, diminished, or otherwise changed or altered by this Amendment except as otherwise expressly provided for in this Amendment.
- 3.0 Description of Change:

Add the following contract item as described below.

Amendment 3 updating Exhibits V and VI

Reflecting new pricing and extending the contract term to 1/31/2026

Extend the contract expiration date from 1/31/2021 to 1/31/2026

Add \$1,425,000.00 to the contract Not to Exceed (NTE) amount.

The contract NTE will change from \$2,998,500.00 to \$4,423,500.00



COMPLIANCE OFFICE  
PURCHASING

Compliance Office | Purchasing  
248-858-0511 | purchasing@oakgov.com

For and in consideration of the mutual assurances, promises, acknowledgments, warrants, representations, and agreements set forth in the Contract and this Amendment, and for other good and valuable consideration, the receipt and adequacy of which is hereby acknowledged, the undersigned hereby execute this Amendment on behalf of the County, and Contractor and by doing so legally obligate and bind the County and Contractor to the terms and conditions of the Contract and this Amendment.

THE CONTRACTOR:

SIGN / DATE: Elizabeth Heintzman  
Elizabeth Heintzman (Dec 18, 2020 12:09 CST)

Emergency CallWorks

THE COUNTY OF OAKLAND:

SIGN / DATE: Scott N. Guzy  
Scott N. Guzy (Dec 18, 2020 11:07 EST)

Pamela L. Weipert, CPA CIA, Compliance Officer  
or

Scott N. Guzy, CPPO, MBA, Purchasing Administrator

cmk



**THIRD AMENDMENT TO  
CONTRACT NUMBER 004698**

THIS THIRD AMENDMENT TO CONTRACT NUMBER 004698 ("Amendment") is made and entered into this \_\_\_\_ day of \_\_\_\_\_, 2020, by and among County of Oakland, Michigan ("County") and Motorola Solutions, Inc. f/k/a Emergency CallWorks ("Contractor" or "Motorola"). Unless otherwise defined herein, all capitalized terms shall have the meaning set forth in the Agreement (as defined below).

**RECITALS**

A. WHEREAS, County and Contractor entered into that certain Contract Number 004698 effective February 1, 2016 (Agreement"), whereby Contractor agreed to provide and County agreed to purchase NG911 Call Processing Equipment, including hardware, software, implementation services ("System") and maintenance services to the County as further described in the Agreement.

B. WHEREAS, the Agreement expires January 31, 2021 and the parties wish to amend the Agreement to extend the Term to January 31, 2026.

C. WHEREAS, in accordance with Section 2.2 of the Agreement, County and Contractor desire to memorialize the foregoing and to provide for other changes to the Agreement, all on the terms and conditions as set forth herein.

**AGREEMENT**


NOW THEREFORE, for and in consideration of the above premises, and other good and valuable consideration, the receipt and sufficiency of which are hereby acknowledged, County and Contractor hereto agree as follows:

1. Extension. Section 2.2 provides that the Agreement may only be extended by mutual written agreement. The parties agree to extend the Agreement to January 31, 2026 ("Extended Term").
2. Contract Price. The total Contract Price for this Extended Term shall be \$2,591,389.46. This contract price shall be separated out by Oakland County Contract Pricing and Non-Oakland County Site Pricing.
3. Exhibit V - Oakland County Site Pricing. For the Extended Term, updated pricing for Exhibit V - Oakland County Total Site Pricing is \$1,422,218.62 and is attached hereto and incorporated herein by reference.
4. Exhibit VI - Non-Oakland County Site Pricing. For the Extended Term, updated pricing for Exhibit VI - Non-Oakland County Site Total Pricing is \$1,169,170.84 and is attached hereto and incorporated herein by reference.
5. Effective Date: The effective date of this Amendment shall be February 1, 2021.
6. References. All references to "Emergency Callworks" shall be revised to "Motorola Solutions, Inc."

5. Conflict/No Other Modifications. In the event of a conflict between the terms of this Amendment and the terms of the Agreement, this Amendment shall control. All other terms of the Agreement shall remain unchanged and remain in full force and effect.

IN WITNESS WHEREOF, the parties hereto have caused this Amendment to be signed by their authorized representatives as of the Effective Date.

**Oakland County, Michigan**

By:   
By: Scott N. Guzzy (Dec 18, 2020 13:07 EST)  
Name: Scott N. Guzzy  
Title: Admn Purchasing (001381)  
Date: Dec 18, 2020

**Motorola Solutions, Inc.**

By:   
By: Elizabeth Heintzman (Dec 18, 2020 12:09 CST)  
Name: Elizabeth Heintzman  
Title: Area Sales Manager  
Date: Dec 18, 2020

**\*This pricing is tied to a December 18<sup>th</sup>, 2020 signature**

Pos. Count

3

Yrs. Spt.

3.5

Site Name:

Berkley Dept of Public Safety

Solution being Delivered:

Hardware Refresh &amp;

Outbound Text

no

Qty	Part Number	Telecom / Position / Host Hardware (100)	Unit Price	U/M	Ext. Price	OFFER Price
3	EOX100101	WKS PC, Dual Video, 8gb RAM	\$1,512.00	EA	\$4,536.00	\$3,855.60
3	EOX100103	MONITOR, 22W" FP, BLK	\$450.00	EA	\$1,350.00	\$1,147.50
3	EOX100201	VoIP Phone	\$345.00	EA	\$1,035.00	\$879.75
3	EOX100204	Keypad, Genovation 24 Keypad DTP	\$189.00	EA	\$567.00	\$481.95
1	EOX100305-1	Media Gateway, 8 Port FXS to SIP (Station Rec)	\$1,085.00	EA	\$1,085.00	\$922.25
3	EOX100311	Media Gateway, 8 port FXD to SIP (Admin/Rinodown)	\$1,085.00	EA	\$3,255.00	\$2,766.75
2	EOX100316	Rack Shelf, Media Gateway (FXD), 2U, 2 GW per Shelf	\$61.00	EA	\$122.00	\$103.70
<b>Hardware Sub-Total</b>					<b>\$11,950.00</b>	<b>\$10,157.50</b>
Part Number	Software Components (200)	Unit Price	U/M	Ext. Price	OFFER Price	
3	EOX200001	CALLSTATION License	\$13,000.00	EA	\$39,000.00	\$0.00
12	EOX200022	VIRUS PROTECTION, WKS. - per Pos. / per YEAR	\$98.00	EA	\$1,176.00	\$0.00
<b>Software Sub-Total</b>					<b>\$40,176.00</b>	<b>\$0.00</b>
Part Number	Staffing and Configuration Services (400)	Unit Price	U/M	Ext. Price	OFFER Price	
12	EOX400004	CONFIG/STAGING, Per Hour	\$110.00	UN	\$1,320.00	\$1,320.00
<b>Configuration Services Sub-Total</b>					<b>\$1,320.00</b>	<b>\$1,320.00</b>
Part Number	Network and Misc. Hardware and Equipment (500)	Unit Price	U/M	Ext. Price	OFFER Price	
1	EOXS00002-PR	POS. BASED REC KIT - 4 Port	\$350.00	EA	\$350.00	\$297.50
2	EOXS00003	SWITCH, 24-PORT POE, 1/10/100	\$2,875.00	EA	\$5,750.00	\$4,887.50
1	EOXS00007-R	MISC. MAT., CABLES, RMTE., LOT	\$780.00	EA	\$780.00	\$663.00
1	EOXS00009-1	PRINTER	\$558.00	EA	\$558.00	\$474.30
1	EOXS00017	IP to Serial Dist., 16 port	\$3,500.00	EA	\$3,500.00	\$2,975.00
2	EOXS00105	PDU, Rack Mount, Horiz., 8 ports - 1U 15A 100/120V (NEMA 5-15)	\$895.00	EA	\$1,790.00	\$1,521.50
<b>Peripherals / Network Sub-Total</b>					<b>\$12,728.00</b>	<b>\$10,818.80</b>
Part Number	System Services (600, 700, 800)	Unit Price	U/M	Ext. Price	OFFER Price	
6	EOX700001	PROJECT MANAGEMENT, UNIT	\$990.00	EA	\$5,940.00	\$5,643.00
1	EOX700002	SYSTEM INSTALLATION, PRIMARY	\$4,830.70	UN	\$4,830.70	\$4,589.17
1	EOX800001	SYSTEM ENGINEERING, Lot	\$1,753.61	UN	\$1,753.61	\$1,665.93
<b>Professional Services Sub-Total</b>					<b>\$14,859.06</b>	<b>\$11,898.10</b>
<b>TOTAL NR Charges:</b>					<b>\$81,033.06</b>	<b>\$34,194.40</b>
Part Number	Recurring Maintenance Charges (900)	Unit Price	U/M	Ext. Price	OFFER Price	
0.88	EOX900000	SYSTEM SUPPORT, 4 YEAR	\$24,105.60	EA	\$21,212.93	\$0.00
3.5	EOX900004	ONSITE MAINTENANCE, per YEAR	\$5,400.00	EA	\$18,900.00	\$18,900.00
3	EOX900005	EXTENDED WARRANTY, per YEAR (2-5)	\$616.95	EA	\$1,850.85	\$1,850.85
<b>Sub-Total Recurring Charges:</b>					<b>\$41,963.78</b>	<b>\$20,750.85</b>
<b>***** TOTAL COST OF OWNERSHIP:</b>			<b>3.5</b>	<b>YEAR(s)</b>	<b>\$122,996.84</b>	<b>\$54,945.25</b>

**PRICING CHANGES:**

PSAP	Number of Positions	Software Licenses	Software support	Hardware Front Room	Hardware Back Room	Services Config	Services Install	Onsite Support	Hardware Warranty*	Sub-Total
Berkley Dept. Of Public Safety	3	\$0.00	\$0.00	\$6,364.80	\$14,611.50	\$1,320.00	\$11,898.10	\$18,900.00	\$1,850.85	\$54,945.25
Birmingham Police Dept.	3	\$0.00	\$0.00	\$9,807.30	\$10,200.00	\$1,320.00	\$11,762.55	\$16,200.00	\$1,176.90	\$50,466.75
Bloomfield Hills Dept of PS	1.5	\$0.00	\$0.00	\$3,944.85	\$12,053.85	\$440.00	\$5,033.31	\$10,125.00	\$1,411.65	\$33,008.66
Bloomfield Twp PD	4	\$0.00	\$0.00	\$14,606.40	\$9,384.00	\$1,760.00	\$15,421.75	\$27,000.00	\$2,116.80	\$70,288.95
Farmington Hills PD	5	\$0.00	\$0.00	\$18,258.00	\$14,314.00	\$2,200.00	\$19,564.55	\$33,030.00	\$2,874.00	\$90,240.55
Ferndale PD	3	\$0.00	\$0.00	\$9,807.30	\$11,432.50	\$1,320.00	\$11,927.40	\$20,250.00	\$1,874.10	\$56,611.30
Hazel Park PD	2	\$0.00	\$0.00	\$6,538.20	\$11,943.35	\$880.00	\$8,432.20	\$11,988.00	\$1,630.73	\$41,412.48
Madison Heights PD	4	\$0.00	\$0.00	\$10,011.30	\$11,495.40	\$1,320.00	\$11,957.08	\$19,818.00	\$1,897.65	\$56,499.43
Novi Regional	4	\$0.00	\$0.00	\$14,606.40	\$13,839.70	\$1,760.00	\$15,917.25	\$25,776.00	\$2,509.95	\$74,409.30
Oak Park Dept. of PS	2	\$0.00	\$0.00	\$7,303.20	\$15,103.65	\$880.00	\$8,868.71	\$11,700.00	\$1,977.08	\$45,832.64
Rochester PD	2	\$0.00	\$0.00	\$6,066.45	\$10,047.00	\$880.00	\$8,168.85	\$13,500.00	\$1,421.78	\$40,084.08
Royal Oak PD	5	\$0.00	\$0.00	\$16,345.50	\$11,660.30	\$2,200.00	\$19,056.76	\$33,750.00	\$2,471.10	\$85,483.66
Southfield PD	6	\$0.00	\$0.00	\$21,909.60	\$15,736.05	\$2,640.00	\$23,317.24	\$44,064.00	\$4,428.90	\$112,095.79
Troy PD	6	\$0.00	\$0.00	\$19,997.10	\$13,460.60	\$2,640.00	\$22,851.51	\$35,964.00	\$2,952.15	\$97,865.36
Waterford Twp. PD	5	\$0.00	\$0.00	\$17,454.75	\$12,797.60	\$2,200.00	\$19,306.59	\$33,030.00	\$2,669.33	\$87,458.27
West Bloomfield PD	5	\$0.00	\$0.00	\$18,551.25	\$10,047.00	\$2,200.00	\$19,122.64	\$33,030.00	\$2,523.38	\$85,474.27
White Lake Twp. PD	2	\$0.00	\$0.00	\$7,303.20	\$10,521.30	\$880.00	\$8,359.13	\$11,988.00	\$1,572.75	\$40,624.38
Oakland University	2	\$0.00	\$0.00	\$7,889.70	\$14,441.50	\$880.00	\$9,200.12	\$11,988.00	\$1,970.40	\$46,369.72

Non-Oakland County Site Totals \$0.00 \$0.00 \$216,765.30 \$223,089.30 \$27,720.00 \$250,165.74 \$412,101.00 \$39,329.50 \$1,169,170.84

\*Extended Hardware Warranty can only be purchased if Hardware Refresh is purchased. Current Hardware Warranty expires on date shown on above "Changes in Service" table.

\*\*Software Support & Onsite Support must be purchased on or prior to support expiration date shown on the above "Changes in Service" table and must be paid, in one lump sum, within 30 days after the applicable expiration date shown on the above "Changes in Service" table.

\*\*\* CallWorks software will be supported with or without a hardware refresh as long as the customer is current on their software support maintenance agreement. In a geo-diverse solution, if one psap opts in for a hardware refresh, and one does not, or if hardware refreshes are installed at different times, it will not affect the functionality of the software.

**Payment Schedule for Hardware Refresh & Hardware Warranty Purchase (due net 30 days upon invoice):**

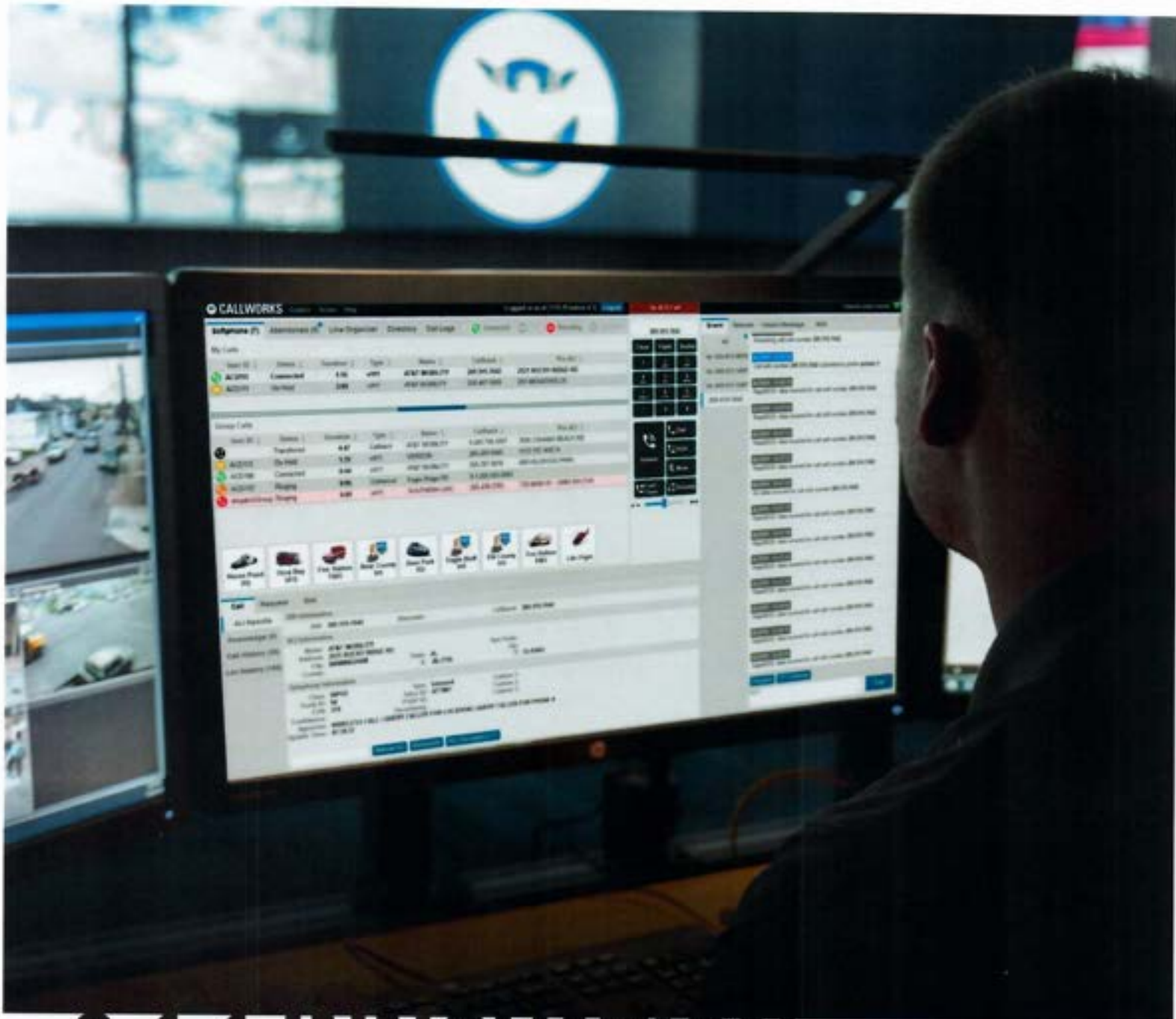
- 20% upon order of the hardware
- 30% upon County's receipt of hardware at an agreed upon location
- 30% at Data Center/PSAP Install
- 20% at Re-acceptance

**\*This pricing is tied to a December 18<sup>th</sup>, 2020 signature**

Exhibit VI – Non-Oakland County Site Pricing

**CHANGES IN SERVICE:**

<b>PSAP</b>	<b>Number of Positions</b>	<b>Years of Support</b>	<b>Current Expiration Date</b>	<b>New Expiration Date</b>
Berkley Dept. Of Public Safety	3	3 years / 6 months	7/11/2022	1/31/2026
Birmingham Police Dept.	3	3 years / 0 months	2/17/2023	1/31/2026
Bloomfield Hills Dept of PS	1.5	3 years / 9 months	4/19/2022	1/31/2026
Bloomfield Twp PD	4	3 years / 9 months	4/5/2022	1/31/2026
Farmington Hills PD	5	3 years / 8 months	5/21/2022	1/31/2026
Ferndale PD	3	3 years / 9 months	4/9/2022	1/31/2026
Hazel Park PD	2	3 years / 4 months	9/12/2022	1/31/2026
Madison Heights PD	4	3 years / 8 months	5/22/2022	1/31/2026
Novi Regional	4	3 years / 7 months	5/30/2022	1/31/2026
Oak Park Dept. of PS	2	3 years / 3 months	10/23/2022	1/31/2026
Rochester PD	2	3 years / 9 months	4/24/2022	1/31/2026
Royal Oak PD	5	3 years / 9 months	4/20/2022	1/31/2026
Southfield PD	6	4 years / 1 month	12/14/2021	1/31/2026
Troy PD	6	3 years / 4 months	9/13/2022	1/31/2026
Waterford Twp. PD	5	3 years / 8 months	6/1/2022	1/31/2026
West Bloomfield PD	5	3 years / 8 months	5/22/2022	1/31/2026
White Lake Twp. PD	2	3 years / 4 months	9/7/2022	1/31/2026
Oakland University	2	3 years / 4 months	9/24/2022	1/31/2026



# 9-1-1 INNOVATION FOR NEXT GENERATION

**CALLWORKS** CALLSTATION  
EMERGENCY CALL HANDLING

# REALIZE THE FULL POTENTIAL OF NG9-1-1

Delivering the industry's first browser-based call handling platform, Motorola Solutions leverages our innovation to provide an easy-to-use, yet comprehensive solution for Next Generation 9-1-1 call handling and mapping. Let CallWorks CallStation help your PSAP face the challenges of today and tomorrow.

## SIMPLIFIED OPERATIONS

CallWorks CallStation's native i3-compatible application manages the receipt of emergency calls with a simple, user-centric workflow approach. Agencies with a dispatch application can get the latest Voice over Internet Protocol (VoIP), wireless mobile and NG9-1-1 capabilities via our browser-based solution. Call handling is available directly from the Map with the support of traditional 9-1-1 and mapped ALI features and using a browser on the same PC as the dispatch application, with vendors' permissions. CAD interfaces are provided.

## A SMART DESIGN

Access to a wide range of information is part of the new landscape for call takers. CallWorks CallStation supplies an intuitive browser interface – the first of its kind – that users can immediately understand. This interface includes integrated SMS/Text-to-9-1-1 functionality and supplemental location information from RapidSOS. The innovative user experience improves efficiencies by streamlining call flows at the individual and group levels. For example, CallWorks CallStation's telephony-enabled Map permits innovative ways of managing a complex incident as it unfolds in real time.

## ENHANCED ADMINISTRATION

System administrators and PSAP supervisors have browser-based access to various capabilities that enable the system's best performance, as well as that of their PSAP. AdminiStation allows authorized personnel to configure and maintain the system for each agency, PSAP or regional network, as needed, from any location. DecisionStation lets these users and authorized mobile users view real-time and historical call and incident detail records, unit activity and pre-defined reports, and to conduct data mining, for enhanced situational management and improved operational analysis.

## A COMPLETE WORKFLOW

Available as an add-on to CallStation, CallWorks DispatchStation provides dispatch capabilities to enable a complete workflow – from receipt of NG9-1-1 calls to dispatching field resources and sending information to mobile users. Call handling and dispatching are available directly from the Map, supporting traditional 9-1-1, Mapped ALI and CAD.

---

**50% LESS**  
Backoffice Server  
Infrastructure

---

## DESIGNED TO INCREASE PSAP EFFICIENCY



Integrated Text-to-9-1-1 allows users to handle text and voice calls simultaneously. The conversation between the call taker and texter is displayed on the SMS tab on the far right side of the screen.



On the Map, call takers see a wireless call with RapidSOS location information. The larger yellow circle shows the Telco's estimated range. The smaller red circle shows the RapidSOS estimated range.



## CONTINUED INNOVATION

CallWorks CallStation continues to innovate by providing new deployment options and functionality to increase PSAP efficiency.

### **CALLWORKS CALLSTATION SELECT**

Provides a new deployment option, offered as a monthly subscription and delivered as-a-service. CallWorks CallStation Select has all the functionality of CallWorks CallStation, yet with a more compact footprint.

### **INTEGRATED CALL CONTROL (ICC)**

Increases call taker focus by integrating CallWorks CallStation into CAD, using the Spillman Flex solution or PremierOne CAD console. This eliminates the physical back and forth between the call handling and CAD systems and their multiple screens and keypads.

### **COMMANDCENTRAL 9-1-1 SMART TRANSCRIPTION AND CITIZEN INPUT**

Offers cloud-based services for the CallWorks CallStation on-premise solution to give PSAPs new functionality to better serve citizens. Smart Transcription automatically transcribes calls in real-time to provide PSAPs the text. With Citizen Input, PSAPs gain a controlled approach to receiving and managing visual content. Released in 2020.



### **RETURN ON INVESTMENT**

An investment in Next Generation is an investment in a community's safety. Motorola Solutions ensures the PSAP's return on investment in CallWorks CallStation by providing upgrades at no additional charge and covering all system components in one consistent support package. Insure you have a predictable path even as the 9-1-1 landscape evolves.





## CORE FUNCTIONALITY OF CALLWORKS CALLSTATION

- Multi-User, Multi-Agency Capability
- Intelligent Command Line and Right-click Status Management
- Legacy 9-1-1 (CAMA) and Administrative Call Taking
- i3 Next Generation Compliant via SIP Works
- ESInet (NENA Standard i3 Interface)
- Select Third-Party Variations
- Integrated TDD/TTY and IRR
- SMS Handling Capabilities
- NENA-Compliant Workstation
- Easy-to-Use Browser Technology and Graphical User Interface with a Choice of Three Color Schemes
- Integrated VoIP Switch
- Standard Interfaces for Time Sync, Printing, Reports, CAD, IP Recording, and RMS Outputs
- Remote VoIP Phone Only Capability with ALI via SIP Station
- Web Portal for Real-time Data Views and Call Detail Reporting
- AdminiStation Data Management Utility
- DecisionStation Dashboard Utility

We build software for mission-critical environments where every second matters. CallWorks CallStation and the other applications in our CommandCentral software suite help PSAPs unify data and streamline workflows so you can improve the safety of critical personnel and restore your focus on the communities you serve. Backed by a trusted, 90-year veteran with proven public safety leadership, our CommandCentral suite is transforming the public safety experience with a focus on evolution, not revolution. Let us help you digitally transform your operation

To learn more about CallWorks CallStation, visit [www.motorolasolutions.com/ng911](http://www.motorolasolutions.com/ng911)



Motorola Solutions, Inc. 500 West Monroe Street, Chicago, IL 60651 U.S.A. [motorolasolutions.com](http://motorolasolutions.com)

MOTOROLA, MOTO, MOTOROLA SOLUTIONS and the Stylized M Logo are trademarks or registered trademarks of Motorola Trademark Holdings, LLC and are used under license. All other trademarks are the property of their respective owners. © 2019 Motorola Solutions, Inc. All rights reserved. 05-2020

June 6, 2022 City Council Meeting

Moved by Councilmember \_\_\_\_\_ and seconded by Councilmember \_\_\_\_\_ to approve the purchase of a 2023 Prodigy HHX Hydroexcavation Unit at a total cost not to exceed of \$460,000 from Jack Doheny Companies.

Ayes:

Nays:

Motion:

**Justification:**

1. This new piece of equipment will be used primarily for lead service verifications and catch basin cleanings along with high hazard or low impact excavations.
2. The purchase would be using the Sourcewell Cooperative Contract. (Formerly NJPA).
3. A manufacturer warranty (unlimited hours) will be provided for a term of one year for parts, labor and transportation, no deductible. Extended warranties for both the engine and transmission are included as options.
4. Jack Doheny Companies has been selling and servicing this type of equipment for 43 years with a local parts and service facility located in Northville. They have also provided exceptional customer service for us over the past 20+ years.
5. This purchase was identified in the 2022-2023 Capital Equipment Replacement Plan. Funds totaling \$460,000 have been appropriated in the 2022-2023 Fiscal Budget under account 592-536-985-000 (Vehicles).



## Transmittal Memo

To: Matthew Baumgarten, City Manager  
Cc: Mark Pollock, Finance Director  
From: Shawn Young, DPW Director *SY 5/19/22*  
Date: May 18, 2022  
Subject: Recommendation for Award - 2023 Prodigy HHX Hydroexcavation Unit from Jack Doheny Companies

---

As part of the FY 2022-2023 budget process, funds in the amount of \$460,000 were allocated for the purchase of a new hydroexcavation unit. This unit will be used primarily for service line verifications, catch basin cleanings, along with other high hazard or low impact excavations. Our staff has researched several different options for this work and has decided that this was the best fit for our needs.

We propose to utilize the Sourcewell Cooperative Contract for this purchase in an actual amount of \$417,323.23 with the remaining \$42,676.77 of the budgeted amount remaining as a contingency for unexpected manufacturer surcharges. This contingency would bring the total funds requested to no more than the budgeted \$460,000.

The Hydroexcavation unit will come with a minimum one-year full warranty for parts and labor (no deductible). There are separate extended warranties that cover the different modules such as engine, transmission, debris/water tanks, and the pump.

The unit was programmed in the 2022-2023 Capital Equipment Replacement Plan. Funds are allocated in the 2022-2023 Fiscal Budget under account number 592-536-985-000 (Vehicles-\$460,000).

Feel free to contact our office with any questions or concerns.



Date: 5/16/2022  
Branch: 1100

**FLXX Single Engine Hydro Excavation Machine with Positive Displacement Vacuum System Mounted  
on a Heavy Duty Truck Chassis**



**Sourcewell Contract #101221-VTR**

**City of Berkley  
3338 Coolidge Hwy  
Berkley, MI 48072  
248/546-2430  
Attn: Mr. Shawn Young, Public Services Director  
[syoung@berkleymich.net](mailto:syoung@berkleymich.net)**

**PROPOSAL ID:** 17764  
**BM ID:** 2022-46292

**DOHENYCOMPANY.COM**

2022

List

Selected

1	FL1007	TRUVAC FLXX, 16" Vacuum System, 10 yrd Debris Body	\$254,406.00	\$ 254,406.00
1	FLXX-S	Simple Style Control System (DigRight Technology)	STD	STD
1	FL01STD	Exten Steel Debris Body	STD	STD
1	FL02STD	Flat Rear Door w/Hyd Locks/Lift	STD	STD
1	FL04STD	Boom Turret Inspection Port	STD	STD
1	FL05STD	Rear Door Prop	STD	STD
1	FL06STD	S.S. Float Ball Shut Off	STD	STD
1	FL0850BSTD	800 Gallons of Water	STD	STD
1	FL09STD	Electronic water level display w/ low level indicator & alarm	STD	STD
1	FL10STD	10 GPM/3000 PSI Water System	STD	STD
1	FL11STD	75' Retractable Handgun Reel	STD	STD
1	FL12STD	Roots 624 Blower Hydrostatically Driven	STD	STD
1	FL13STD	Double Cyclone Separator	STD	STD
1	FL014STD	Vacuum Relief	STD	STD
1	FL4011STD	Wireless Remote w/Pump,Vac Relief	STD	STD
1	FL16STD	Vacuum Pipe Package	STD	STD
1	FL17STD	Excavating Lance Package	STD	STD
1	FL18STD	Tool Tray, Aluminum, Driver Side at Rear	STD	STD
1	FL20STD	Electronic Back-Up Alarm	STD	STD
1	FL127STD	Grounding cable to tie debris body, sub frame, and chassis	STD	STD
1	FL103STD	Control Cabinet	STD	STD
1	FL104STD	Water Pump Cabinet Tool Box	STD	STD
1	FL1016ASTD	Billboards Curbside	STD	STD
1	FL1016BSTD	Billboards Streetside	STD	STD
1	FL4017STD	Boom Out of Position Indicator/Alarm	STD	STD
1	FL4020STD	Body Out of Position Indicator/Alarm	STD	STD
1	FL6017STD	Hydraulic Tank Shutoff Valves	STD	STD
1	FL9031STD	Camera System, Rear Only	STD	STD
1	FL0010A	DigFast, Anti-clog option	\$750.00	\$ 750.00
1	FL1004	Debris Body Load Limit Alarm	\$2,099.00	\$ 2,099.00
1	FL1008BSTD	6" Air Actuated Rear Door Knife Valve w/Camloc, 3:00 Position	STD	STD
1	FL1015BSTD	Fixed Rear Door Pipe Rack	STD	STD
1	FL1022STD	Rear Door Splash Shield	STD	STD
1	FL1023	Lube Manifold	\$2,294.00	\$ 2,294.00
1	FL1026	Debris Body Vibrator, Electric	\$1,730.00	\$ 1,730.00
1	FL1030	Sludge Pump Off-Load System - 4"	\$9,169.00	\$ 9,169.00
1	FL1040	Float Ball Screen, Perforated Plastic	\$995.00	\$ 995.00
1	FL0012	340 deg, 7' Telescopic Boom	\$1,850.00	\$ 1,850.00
1	FL0015	Vacuum Enhancer	\$2,183.00	\$ 2,183.00
1	FL2006	Air Purge	\$1,301.00	\$ 1,301.00
1	FL2021B	Water Heater, 400,000 BTU's	\$6,698.00	\$ 6,698.00
1	FL5010C	Cold Weather Package 3 - Anything with water is insulated and heated and PTO Recirculator	\$7,711.00	\$ 7,711.00
1	FL8001M	Rear Directional Control, LED Arrowstick	\$1,910.00	\$ 1,910.00
1	FL8011A	Worklights (2), Boom, High Output Lighting	\$1,218.00	\$ 1,218.00

Customer Initials: \_\_\_\_\_

1	FL8015A	Work Zone Lighting, (6) LED Lights, High Output Lighting	\$3,438.00	\$ 3,438.00
1	FL8020E	6 Amber LED Flashing Light System (2 Rear Mounted, 2 Passenger and 2 Driver Side)	\$1,093.00	\$ 1,093.00
1	FL8035	(1) 110 Volt, 3000 Watt, GFCI Electrical Outlet Passenger Side	\$3,619.00	\$ 3,619.00
1	FL9026A	Toolbox, Passenger Side Subframe in lieu of Tool Tray	\$1,324.00	\$ 1,324.00
1	FL9041	Toolbox, Passenger Side Frame Rail	\$1,484.00	\$ 1,484.00
1	FL9042	Toolbox, Driver Side Frame Rail	\$859.00	\$ 859.00
1	FLP112STD	Module Paint, DuPont Imron Elite - Sanded Primer Base	STD	STD
1	LOGO-APPL.	TruVac Logos - Applied	STD	STD
1	512459-30	TruVac Standard Manual and USB Version - 1 + Dealer	STD	STD

**Chassis:**

1		Freightliner M2 106 Chassis, Cummins L9 360 HP Engine, Allison 3000 RDS Automatic Transmission	\$ 111,376.16	\$ 111,376.16
---	--	------------------------------------------------------------------------------------------------	---------------	---------------

**Non-Sourcwell Options:**

Sale Price

1	FL9085	2022 Vactor Surcharge	\$3,500.00	\$ 3,500.00
---	--------	-----------------------	------------	-------------

**Paint:**

Module Paint Match Cab - No  
Module Paint Color - Grey  
Cab Paint Color - White

**Sourcewell Build-Proposal Summary**

<b>Module/Options Total:</b>	<b>\$ 306,131.00</b>
Options Sourcewell Discount 3%:	\$ 9,183.93
<b>Module/Options Total per Sourcewell Price Schedule:</b>	<b>\$ 296,947.07</b>
Non Sourcewell Options Total:	\$ 3,500.00
<b>Total with Module and All Options:</b>	<b>\$ 300,447.07</b>
Chassis:	\$ 111,376.16
<b>Total with Module, Options, and Chassis:</b>	<b>\$ 411,823.23</b>
Freight and PDI:	\$ 3,500.00
Field Training:	\$ 2,000.00
<b>Total:</b>	<b>\$ 417,323.23</b>

Customer Initials: \_\_\_\_\_

**Terms and Conditions**

**\*\*\*Surcharges or rate increases issued by manufacturer that affect this quote following quote acceptance, but prior to order delivery, will be the responsibility of Buyer. Any surcharge or increase that is applied to this purchase will be applied at same cost as issued by manufacturer.\*\*\***

Acceptance of this Proposal is subject to availability of the Equipment listed above.  
Sales Price does not include any applicable sales taxes. Buyer is responsible for and agrees to pay all The Sale of New Equipment Terms and Conditions are incorporated into and made a part of this Proposal upon acceptance and execution of this Proposal by both parties.  
Execution of this Proposal by Seller and Buyer constitutes a binding agreement between the parties.  
If this Proposal is not executed by both parties within thirty (30) calendar days from the Proposal Date, this Proposal shall become null and void, unless subsequently executed by both Buyer and Seller.

**Following quote acceptance, customer will receive a Build Specification Acknowledgement via Docusign. This must be reviewed and signed within 14 days of receipt to confirm and secure order.**

Thank you for your consideration of this proposal.

Sincerely yours,

*Dave Snyder*

David R. Snyder  
Regional Sales Representative  
248/939-3223  
[DavidSnyder@dohenycompany.com](mailto:DavidSnyder@dohenycompany.com)

**This proposal becomes a contract for delivery and payment of the merchandise listed above only when signed by the customer or one of its officers.**

Customer: \_\_\_\_\_

By: \_\_\_\_\_

Date: \_\_\_\_\_

Email: \_\_\_\_\_

Customer Initials: \_\_\_\_\_

## SALE OF NEW EQUIPMENT TERMS AND CONDITIONS

1. THE AGREEMENT. Jack Doherty Companies, Inc., (the "Seller") agrees to sell, transfer and convey its right, title and interest in the new goods, equipment, vehicles and/or other new items (collectively, the "Equipment") described in Seller's written Invoice for the Sale of New Equipment (the "Invoice") to the Buyer subject to the terms and conditions contained herein, which are incorporated into the Invoice, agreed to by the parties hereto, and together consists of the entire agreement between the Seller and Buyer (collectively, the "Agreement"). The Agreement shall be for the benefit of the Seller and Buyer and not for the benefit of any other person or entity. Prior courses of dealing, trade usage and verbal agreements not reduced to a writing signed by the Seller and Buyer, to the extent they differ from, modify, add to or change from the Agreement shall not be binding on the Seller.
2. TERMS OF PAYMENT.
  - 2.1 Payment Date. All payments for the Equipment are due from Buyer on the date of the invoice unless other terms are agreed to in writing between Seller and Buyer. Payment shall be made to Seller at the address specified in the Agreement, without any offset or deduction for any reason.
  - 2.2 Shipping Delays. If any shipment is delayed at the request of Buyer, payment shall become due based on the date Seller is prepared to make shipment, and Seller may invoice Buyer based on such date. All prices for Equipment are F.O.B. Seller's shipping point.
  - 2.3 Delinquent Payments.
    - 2.3.1 Any payment not made by Buyer on or before its due date shall be subject to a late charge on any unpaid balance at a rate of 18% per annum, or the highest interest rate allowed by law, whichever is greater.
    - 2.3.2 If a payment is not made on or before its due date, Buyer agrees that Seller may elect, in addition to any other remedy at law or in equity, to cease performance under the Agreement and any other agreement between Buyer and Seller until such payment is rendered to Seller.
3. DELIVERY. Seller does not guarantee delivery dates.
4. RISK OF LOSS. Buyer assumes all risk of loss of Equipment upon delivery by Seller to carrier if Equipment is shipped. For Equipment that is shipped, Seller agrees to: (a) prepare the Equipment for shipment to Buyer; (b) deliver custody of the Equipment to carrier; (c) make appropriate arrangements for the transportation to carrier; and deliver documents to enable Buyer to obtain possession of the Equipment. Seller shall not be obligated to obtain insurance or to prepay transportation/carrier costs for the Equipment. Buyer agrees to be responsible for and to timely pay all loading, unloading and other charges incidental to transportation of the Equipment. Whether Seller pays transportation charges or not, risk of loss shall pass to Buyer upon delivery of the Equipment to a carrier.
5. INSPECTION OF EQUIPMENT. Buyer has inspected the Equipment and is satisfied with the Equipment's condition.
6. INDEMNIFICATION. Buyer shall indemnify, hold harmless and release Seller from any and all liabilities, losses, damages, claims, costs and expenses, including attorney fees, arising out of, in whole or in part, from (a) the design, or manufacture of the Equipment; or (b) the use of the Equipment by Buyer and those acting on Buyer's behalf.
7. MISCELLANEOUS.
  - 7.1 No Assignment. There shall be no assignment of the Agreement by Buyer without the prior written approval of Seller. Any assignment of the Agreement shall not relieve Buyer of its obligations under the Agreement.
  - 7.2 Force Majeure. Neither party will be liable for any delay or failure to perform its obligations hereunder, other than a payment obligation, due to any cause beyond its reasonable control including without limitation, acts of God or of the public enemy, including terrorists, acts of the government in its sovereign capacity, fires, floods, epidemic, strikes, picketing or boycotts, or any other circumstances caused by natural occurrences or third party actions beyond the reasonable control and without the fault or negligence of the party whose performance is affected ("Force Majeure Events"); provided that the affected party provides the other party prompt notice of the applicable circumstance and uses commercially reasonable efforts to re-commence performance as promptly as possible; provided, further, that if the duration of such Force Majeure Event exceeds thirty (30) days, the other party may terminate the Agreement upon delivery of written notice to the affected party.
  - 7.3 Venue. The parties agree that any dispute under the Agreement shall be brought in the applicable state or federal court located in the county in which the Originating Branch is located and the parties waive any right to a jury trial.
  - 7.4 Construction and Captions. The parties acknowledge that each has reviewed the Agreement and that the normal rules of construction to the effect that any ambiguities are to be resolved against the drafting party shall not be employed in the interpretation of the Agreement or any exhibits or amendments hereto; and that section headings appearing in the Agreement are for convenience of reference only and they are not intended, to any extent or for any purpose, to limit or define the text of any section or any subsection hereof. In the event any part of the Agreement is found to be ambiguous, such ambiguity shall not be construed against any party.
  - 7.5 Entire Agreement. The Agreement constitutes the sole and entire agreement between the parties and supersedes all prior and contemporaneous statements, promises, understandings or agreements, whether written or oral.
  - 7.6 Amendments. The Agreement may be amended, modified or altered at any time upon the approval of the Seller and Buyer; however, any such amendment must be in writing and signed by the Seller and Buyer in order for such amendment to be of any force and effect.
  - 7.7 Partial Invalidity. In the event that any provision of the Agreement is declared by any court of competent jurisdiction or any administrative judge to be void or otherwise invalid, all of the other terms, conditions and provisions of the Agreement shall remain in full force and effect to the same extent as if that part declared void or invalid had never been incorporated in the Agreement and in such form, the remainder of the Agreement shall continue to be binding upon the parties.
  - 7.8 Counterparts. The Agreement and any amendment thereto may be signed and executed in one or more counterparts, each of which shall be deemed an original and all of which together shall constitute one Agreement. Delivery of an executed counterpart of a signature page of the Agreement by facsimile or email shall be effective as delivery of an originally executed counterpart of the Agreement.
  - 7.9 Authority. Each person(s) executing the Agreement as an agent or in a representative capacity warrants that he or she is duly authorized to do so.

NO WARRANTY. SELLER MAKES NO WARRANTIES OR REPRESENTATIONS EXPRESS OR IMPLIED BY OPERATION OF LAW OR OTHERWISE, INCLUDING WITHOUT LIMITATION, ANY IMPLIED WARRANTY OF MARKETABILITY OR FITNESS FOR PARTICULAR PURPOSE, ALL OF WHICH ARE SPECIFICALLY HEREBY DISCLAIMED. To the extent allowed by law and those agreements, Seller transfers and assigns to Buyer the Equipment manufacturer's warranties, if any such warranty is provided by the Equipment manufacturer. In no event shall Seller be liable to Buyer for any incidental, consequential, special, exemplary, and/or punitive damages, including without limitations, loss of revenue or profit.





**INVOICE INFORMATION**

---

**Sold to:**

**Name** \_\_\_\_\_

**Address** \_\_\_\_\_  
\_\_\_\_\_  
\_\_\_\_\_

**Contact** \_\_\_\_\_

**Phone #** \_\_\_\_\_

**Email Address:** \_\_\_\_\_

---

**Ship to:**

**Name** \_\_\_\_\_

**Address** \_\_\_\_\_  
\_\_\_\_\_  
\_\_\_\_\_

**Contact** \_\_\_\_\_

**Phone #** \_\_\_\_\_

**Email Address** \_\_\_\_\_

---

**PLEASE SELECT TYPE OF BUSINESS**

Environmental \_\_\_\_\_ Petro Chemical \_\_\_\_\_ Gas & Oil \_\_\_\_\_ Sewer & Water \_\_\_\_\_  
Industrial Plant \_\_\_\_\_ Utility \_\_\_\_\_ Municipal \_\_\_\_\_ Other \_\_\_\_\_

---

**Customer Signature:** \_\_\_\_\_



777 Doheny Drive  
Northville, MI 48167

t 248-349-0904  
p 248-349-2774

**TITLE INFORMATION FORM**

**Must be typed.** Please ensure accurate information provided with submission of this document. Any re-issuance of title resulting from inaccurate data may be subject to a \$250.00 processing fee.

---

**Title Assigned to:**

*(In MI, OH & IN: Must be  
Physical Address)*

**(Name and information for  
purchaser of the unit)**

**Name**

\_\_\_\_\_

**Address**

\_\_\_\_\_

\_\_\_\_\_

**Contact**

\_\_\_\_\_

**Phone #**

\_\_\_\_\_

**Email Address**

\_\_\_\_\_

**County:** \_\_\_\_\_

**Fed ID#** \_\_\_\_\_

---

**Title Mailed to:**

*(Must be Physical Address)*

**(Company or business that will  
be registering the unit)**

**Name**

\_\_\_\_\_

**Address**

\_\_\_\_\_

\_\_\_\_\_

**Contact**

\_\_\_\_\_

**Phone #**

\_\_\_\_\_

**Email Address**

\_\_\_\_\_

---

**Lienholder:**

*(If no lienholder exists,  
'Not Applicable' must be  
notated in Name field)*

**Name**

\_\_\_\_\_

**Address**

\_\_\_\_\_

\_\_\_\_\_

**Contact**

\_\_\_\_\_

**Phone #**

\_\_\_\_\_

**Email Address**

\_\_\_\_\_

---

**Customer Signature:**

---

Prepared for:  
 23 **TMFT360A-2023** TRUVAC 58GVW  
 FLXX  
 VACTOR MANUFACTURING BB  
 1621 SOUTH ILLINOIS ST  
 STREATOR, IL 61364  
 Phone: 815 672 3171

Prepared by:  
 Bob Jensen  
 TRANSchICAGO TRUCK GROUP  
 776 N. YORK STREET  
 ELMHURST, IL 60126  
 Phone: 630-279-0600 ext.631

## S P E C I F I C A T I O N P R O P O S A L

Data Code	Description	Weight Front	Weight Rear	Retail Price
<b>Price Level</b>				
PRL-20M	M2 PRL-20M (EFF:04/30/19)			N/C
<b>Data Version</b>				
DRL-036	SPECPRO21 DATA RELEASE VER 036			N/C
<b>Vehicle Configuration</b>				
<b>001-172</b>	<b>M2 106 CONVENTIONAL CHASSIS</b>	5,709	3,503	\$103,510.00
<b>004-223</b>	<b>2023 MODEL YEAR SPECIFIED</b>			STD
<b>002-004</b>	<b>SET BACK AXLE - TRUCK</b>			STD
019-002	STRAIGHT TRUCK PROVISION			N/C
003-001	LH PRIMARY STEERING LOCATION			STD
<b>General Service</b>				
AA1-002	TRUCK CONFIGURATION			STD
<b>AA6-001</b>	<b>DOMICILED, USA 50 STATES (INCLUDING CALIFORNIA AND CARB OPT-IN STATES)</b>			STD
A85-010	UTILITY/REPAIR/MAINTENANCE SERVICE			N/C
A84-1GM	GOVERNMENT BUSINESS SEGMENT			N/C
AA4-002	LIQUID BULK COMMODITY			N/C
AA5-006	TERRAIN/DUTY: 10% (SOME) OF THE TIME, IN TRANSIT, IS SPENT ON NON-PAVED ROADS			N/C
AB1-008	MAXIMUM 8% EXPECTED GRADE			STD
AB5-003	MAINTAINED GRAVEL OR CRUSHED ROCK - MOST SEVERE IN-TRANSIT (BETWEEN SITES) ROAD SURFACE			N/C
995-091	MEDIUM TRUCK WARRANTY			STD
A66-99D	<b>EXPECTED FRONT AXLE(S) LOAD : 18000.0 lbs</b>			
A68-99D	<b>EXPECTED REAR DRIVE AXLE(S) LOAD : 40000.0 lbs</b>			
A63-99D	<b>EXPECTED GROSS VEHICLE WEIGHT CAPACITY : 58000.0 lbs</b>			



Prepared for:  
 23 TMFT360A-2023 TRUVAC 58GVW  
 FLXX  
 VACTOR MANUFACTURING BB  
 1621 SOUTH ILLINOIS ST  
 STREATOR, IL 61364  
 Phone: 815 672 3171

Prepared by:  
 Bob Jensen  
 TRANSSHICAGO TRUCK GROUP  
 776 N. YORK STREET  
 ELMHURST, IL 60126  
 Phone: 630-279-0600 ext.631

Data Code	Description	Weight Front	Weight Rear	Retail Price
<b>Truck Service</b>				
AA3-034	SEWER/INDUSTRIAL VACUUM BODY			N/C
A88-99D	EXPECTED TRUCK BODY LENGTH : 0.0 ft			
AE2-99D	EXPECTED TRUCK BODY WIDTH : 96.0 in			
A89-99D	BRAKING-EXPECTED CAB TO BODY CLEARANCE : 3.0 in			
AF3-1DN	VACTOR			N/C
AF7-99D	EXPECTED BODY/PAYLOAD CG HEIGHT ABOVE FRAME "XX" INCHES : 32.0 in			
<b>Engine</b>				
101-3BR	CUM L9 360 HP @ 2200 RPM; 2200 GOV RPM, 1150 LB-FT @ 1200 RPM	640	30	\$16,665.00
<b>Electronic Parameters</b>				
79A-070	70 MPH ROAD SPEED LIMIT			N/C
79B-000	CRUISE CONTROL SPEED LIMIT SAME AS ROAD SPEED LIMIT			N/C
79K-005	PTO MODE ENGINE RPM LIMIT - 900 RPM			N/C
79M-001	PTO MODE BRAKE OVERRIDE - SERVICE BRAKE APPLIED			N/C
79P-002	PTO RPM WITH CRUISE SET SWITCH - 700 RPM			N/C
79Q-003	PTO RPM WITH CRUISE RESUME SWITCH - 800 RPM			N/C
79S-001	PTO MODE CANCEL VEHICLE SPEED - 5 MPH			N/C
79U-007	PTO GOVERNOR RAMP RATE - 250 RPM PER SECOND			N/C
80G-002	PTO MINIMUM RPM - 700			N/C
80J-002	REGEN INHIBIT SPEED THRESHOLD - 5 MPH			N/C
80S-998	NO PTO 1 CONTROLS			N/C
80T-998	NO PTO 2 CONTROLS			N/C
80U-998	NO PTO 3 CONTROLS			N/C
80V-998	NO ENGINE MOUNT PTO CONTROLS			N/C
<b>Engine Equipment</b>				
99C-021	2010 EPA/CARB/GHG21 CONFIGURATION			STD
99D-009	2008 CARB EMISSION CERTIFICATION - CLEAN IDLE (INCLUDES 6X4 INCH LABEL ON LEFT SIDE OF HOOD)			\$109.00
13E-001	STANDARD OIL PAN			STD
105-001	ENGINE MOUNTED OIL CHECK AND FILL			STD



Prepared for:  
 23 TMFT360A-2023 TRUVAC 58GVW  
 FLXX  
 VACTOR MANUFACTURING BB  
 1621 SOUTH ILLINOIS ST  
 STREATOR, IL 61364  
 Phone: 815 672 3171

Prepared by:  
 Bob Jensen  
 TRANSSHICAGO TRUCK GROUP  
 776 N. YORK STREET  
 ELMHURST, IL 60126  
 Phone: 630-279-0600 ext.631

Data Code	Description	Weight Front	Weight Rear	Retail Price
014-1B5	SIDE OF HOOD AIR INTAKE WITH DONALDSON HIGH CAPACITY AIR CLEANER WITH SAFETY ELEMENT, FIREWALL MOUNTED			\$50.00
124-1D7	DR 12V 160 AMP 28-SI QUADRAMOUNT PAD ALTERNATOR WITH REMOTE BATTERY VOLT SENSE			STD
292-235	(2) DTNA GENUINE, FLOODED STARTING, MIN 2000CCA, 370RC, THREADED STUD BATTERIES	10		\$13.00
290-017	BATTERY BOX FRAME MOUNTED			STD
281-001	STANDARD BATTERY JUMPERS			STD
282-001	SINGLE BATTERY BOX FRAME MOUNTED LH SIDE UNDER CAB			STD
291-017	WIRE GROUND RETURN FOR BATTERY CABLES WITH ADDITIONAL FRAME GROUND RETURN			STD
289-001	NON-POLISHED BATTERY BOX COVER			STD
107-032	CUMMINS TURBOCHARGED 18.7 CFM AIR COMPRESSOR WITH INTERNAL SAFETY VALVE			STD
108-002	STANDARD MECHANICAL AIR COMPRESSOR GOVERNOR			STD
131-013	AIR COMPRESSOR DISCHARGE LINE			STD
152-040	ELECTRONIC ENGINE INTEGRAL WARNING AND DERATE PROTECTION SYSTEM			N/C
128-076	CUMMINS ENGINE INTEGRAL BRAKE WITH VARIABLE GEOMETRY TURBO ON/OFF	20		N/C
016-1C2	RH OUTBOARD UNDER STEP MOUNTED HORIZONTAL AFTERTREATMENT SYSTEM ASSEMBLY WITH RH B-PILLAR MOUNTED VERTICAL TAILPIPE	30	25	\$823.00
28F-002	ENGINE AFTERTREATMENT DEVICE, AUTOMATIC OVER THE ROAD REGENERATION AND DASH MOUNTED REGENERATION REQUEST SWITCH			N/C
239-038	11 FOOT 06 INCH (138 INCH+0/-5.9 INCH) EXHAUST SYSTEM HEIGHT			N/C
237-1CR	RH CURVED VERTICAL TAILPIPE B-PILLAR MOUNTED ROUTED FROM STEP			N/C
23U-001	6 GALLON DIESEL EXHAUST FLUID TANK			STD
30N-003	100 PERCENT DIESEL EXHAUST FLUID FILL			STD
43X-002	LH MEDIUM DUTY STANDARD DIESEL EXHAUST FLUID TANK LOCATION			STD
23Y-002	DIESEL EXHAUST FLUID PUMP MOUNTED AFT OF DIESEL EXHAUST FLUID TANK			\$68.00
43Y-001	STANDARD DIESEL EXHAUST FLUID TANK CAP			STD
242-001	STAINLESS STEEL AFTERTREATMENT DEVICE/MUFFLER/TAILOPIPE SHIELD			\$48.00



Prepared for:  
 23 TMFT360A-2023 TRUVAC 58GVW  
 FLXX  
 VACTOR MANUFACTURING BB  
 1621 SOUTH ILLINOIS ST  
 STREATOR, IL 61364  
 Phone: 815 672 3171

Prepared by:  
 Bob Jensen  
 TRANSCHICAGO TRUCK GROUP  
 776 N. YORK STREET  
 ELMHURST, IL 60126  
 Phone: 630-279-0600 ext.631

Data Code	Description	Weight Front	Weight Rear	Retail Price
273-058	AIR POWERED ON/OFF ENGINE FAN CLUTCH			STD
276-002	AUTOMATIC FAN CONTROL WITH DASH SWITCH AND INDICATOR LIGHT, NON ENGINE MOUNTED			\$10.00
110-003	CUMMINS SPIN ON FUEL FILTER			STD
118-008	COMBINATION FULL FLOW/BYPASS OIL FILTER			N/C
266-013	1100 SQUARE INCH ALUMINUM RADIATOR	70		N/C
103-036	ANTIFREEZE TO -34F, ETHYLENE GLYCOL PRE-CHARGED SCA HEAVY DUTY COOLANT			\$18.00
171-007	GATES BLUE STRIPE COOLANT HOSES OR EQUIVALENT			STD
172-001	CONSTANT TENSION HOSE CLAMPS FOR COOLANT HOSES			STD
270-016	RADIATOR DRAIN VALVE			STD
168-002	LOWER RADIATOR GUARD			STD
138-011	PHILLIPS-TEMRO 1000 WATT/115 VOLT BLOCK HEATER	4		\$89.00
140-022	CHROME ENGINE HEATER RECEPTACLE MOUNTED UNDER LH DOOR			\$21.00
134-001	ALUMINUM FLYWHEEL HOUSING			STD
132-004	ELECTRIC GRID AIR INTAKE WARMER			STD
155-055	DELCO 12V 39MT HD/OCP STARTER WITH THERMAL PROTECTION AND INTEGRATED MAGNETIC SWITCH	15		\$69.00

### Transmission

342-582	ALLISON 3000 RDS AUTOMATIC TRANSMISSION WITH PTO PROVISION	200	60	\$6,785.00
---------	------------------------------------------------------------	-----	----	------------

### Transmission Equipment

343-344	ALLISON VOCATIONAL PACKAGE 235 - AVAILABLE ON 3000/4000 PRODUCT FAMILIES WITH VOCATIONAL MODELS RDS, PTS AND HS			N/C
84B-012	ALLISON VOCATIONAL RATING FOR ON/OFF HIGHWAY APPLICATIONS AVAILABLE WITH ALL PRODUCT FAMILIES			N/C
84C-023	PRIMARY MODE GEARS, LOWEST GEAR 1, START GEAR 1, HIGHEST GEAR 6, AVAILABLE FOR 3000/4000 PRODUCT FAMILIES ONLY			N/C
84D-023	SECONDARY MODE GEARS, LOWEST GEAR 1, START GEAR 1, HIGHEST GEAR 6, AVAILABLE FOR 3000/4000 PRODUCT FAMILIES ONLY			N/C
84E-000	PRIMARY SHIFT SCHEDULE RECOMMENDED BY DTNA AND ALLISON, THIS DEFINED BY ENGINE AND VOCATIONAL USAGE			STD



**Prepared for:**  
 23 TMFT360A-2023 TRUVAC 58GVW  
 FLXX  
 VACTOR MANUFACTURING BB  
 1621 SOUTH ILLINOIS ST  
 STREATOR, IL 61364  
 Phone: 815 672 3171

**Prepared by:**  
 Bob Jensen  
 TRANSCHICAGO TRUCK GROUP  
 776 N. YORK STREET  
 ELMHURST, IL 60126  
 Phone: 630-279-0600 ext.631

Data Code	Description	Weight Front	Weight Rear	Retail Price
84F-000	SECONDARY SHIFT SCHEDULE RECOMMENDED BY DTNA AND ALLISON, THIS DEFINED BY ENGINE AND VOCATIONAL USAGE			STD
84G-000	PRIMARY SHIFT SPEED RECOMMENDED BY DTNA AND ALLISON, THIS DEFINED BY ENGINE AND VOCATIONAL USAGE			STD
84H-000	SECONDARY SHIFT SPEED RECOMMENDED BY DTNA AND ALLISON, THIS DEFINED BY ENGINE AND VOCATIONAL USAGE			STD
84J-000	ENGINE BRAKE RANGE PRESELECT RECOMMENDED BY DTNA AND ALLISON, THIS DEFINED BY ENGINE AND VOCATIONAL USAGE			STD
84K-000	ENGINE BRAKE RANGE ALTERNATE PRESELECT RECOMMENDED BY DTNA AND ALLISON, THIS DEFINED BY ENGINE AND VOCATIONAL USAGE			STD
84N-200	FUEL SENSE 2.0 DISABLED - PERFORMANCE - TABLE BASED			STD
84U-000	DRIVER SWITCH INPUT - DEFAULT - NO SWITCHES			STD
85P-998	NO REAR PTO TRANSMISSION RANGE			N/C
353-022	VEHICLE INTERFACE WIRING CONNECTOR WITHOUT BLUNT CUTS, AT BACK OF CAB			\$49.00
34C-001	ELECTRONIC TRANSMISSION CUSTOMER ACCESS CONNECTOR FIREWALL MOUNTED			\$23.00
362-824	(2) CUSTOMER INSTALLED CHELSEA 280 SERIES PTO'S			N/C
363-011	PTO MOUNTING, LH AND RH SIDES OF MAIN TRANSMISSION			N/C
341-018	MAGNETIC PLUGS, ENGINE DRAIN, TRANSMISSION DRAIN, AXLE(S) FILL AND DRAIN			STD
345-003	PUSH BUTTON ELECTRONIC SHIFT CONTROL, DASH MOUNTED			N/C
97G-004	TRANSMISSION PROGNOSTICS - ENABLED 2013			N/C
370-015	WATER TO OIL TRANSMISSION COOLER, IN RADIATOR END TANK			STD
346-003	TRANSMISSION OIL CHECK AND FILL WITH ELECTRONIC OIL LEVEL CHECK			N/C
35T-001	SYNTHETIC TRANSMISSION FLUID (TES-295 COMPLIANT)			STD

### Front Axle and Equipment

400-1BA	DETROIT DA-F-18.0-5 18,000# FL1 71.0 KPI/3.74 DROP SINGLE FRONT AXLE	210		\$2,220.00
---------	----------------------------------------------------------------------	-----	--	------------



Prepared for:  
 23 TMFT360A-2023 TRUVAC 58GVW  
 FLXX  
 VACTOR MANUFACTURING BB  
 1621 SOUTH ILLINOIS ST  
 STREATOR, IL 61364  
 Phone: 815 672 3171

Prepared by:  
 Bob Jensen  
 TRANSSHICAGO TRUCK GROUP  
 776 N. YORK STREET  
 ELMHURST, IL 60126  
 Phone: 630-279-0600 ext.631

Data Code	Description	Weight Front	Weight Rear	Retail Price
402-030	MERITOR 16.5X6 Q+ CAST SPIDER CAM FRONT BRAKES, DOUBLE ANCHOR, FABRICATED SHOES	10		N/C
403-002	NON-ASBESTOS FRONT BRAKE LINING			STD
419-001	CAST IRON OUTBOARD FRONT BRAKE DRUMS			STD
409-006	FRONT OIL SEALS			STD
408-001	VENTED FRONT HUB CAPS WITH WINDOW, CENTER AND SIDE PLUGS - OIL			STD
416-022	STANDARD SPINDLE NUTS FOR ALL AXLES			STD
405-002	MERITOR AUTOMATIC FRONT SLACK ADJUSTERS			STD
536-012	TRW TAS-85 POWER STEERING	40		N/C
539-003	POWER STEERING PUMP			STD
534-015	2 QUART SEE THROUGH POWER STEERING RESERVOIR			STD
40T-002	CURRENT AVAILABLE SYNTHETIC 75W-90 FRONT AXLE LUBE			\$14.00

### Front Suspension

620-013	18,000# TAPERLEAF FRONT SUSPENSION	200		\$1,428.00
619-005	MAINTENANCE FREE RUBBER BUSHINGS - FRONT SUSPENSION			STD
410-001	FRONT SHOCK ABSORBERS			STD

### Rear Axle and Equipment

420-1K3	MT-40-14X 40,000# R-SERIES TANDEM REAR AXLE		2,500	\$9,922.00
421-529	5.29 REAR AXLE RATIO			N/C
424-003	IRON REAR AXLE CARRIER WITH OPTIONAL HEAVY DUTY AXLE HOUSING		30	\$101.00
386-011	SPL170 XL DANA SPICER MAIN DRIVELINE WITH HALF ROUND YOKES	45	45	\$1,095.00
388-012	SPL170 XL DANA SPICER INTERAXLE DRIVELINE WITH HALF ROUND YOKES		10	\$406.00
878-019	(1) INTERAXLE LOCK VALVE FOR TANDEM OR TRIDEM DRIVE AXLES			N/C
87A-001	BLINKING LAMP WITH EACH INTERAXLE LOCK SWITCH, INTERAXLE UNLOCK DEFAULT WITH IGNITION OFF			N/C
423-020	MERITOR 16.5X7 Q+ CAST SPIDER CAM REAR BRAKES, DOUBLE ANCHOR, FABRICATED SHOES			\$12.00
433-002	NON-ASBESTOS REAR BRAKE LINING			STD
434-003	STANDARD BRAKE CHAMBER LOCATION			N/C
451-001	CAST IRON OUTBOARD REAR BRAKE DRUMS		-20	STD





Prepared for:  
 23 TMFT360A-2023 TRUVAC 58GVW  
 FLXX  
 VACTOR MANUFACTURING BB  
 1621 SOUTH ILLINOIS ST  
 STREATOR, IL 61364  
 Phone: 815 672 3171

Prepared by:  
 Bob Jensen  
 TRANSCHICAGO TRUCK GROUP  
 776 N. YORK STREET  
 ELMHURST, IL 60126  
 Phone: 630-279-0600 ext.631

Data Code	Description	Weight Front	Weight Rear	Retail Price
440-006	REAR OIL SEALS			STD
426-101	WABCO TRISTOP D LONGSTROKE 2-DRIVE AXLE SPRING PARKING CHAMBERS		20	N/C
428-003	HALDEX AUTOMATIC REAR SLACK ADJUSTERS			\$92.00
41T-002	CURRENT AVAILABLE SYNTHETIC 75W-90 REAR AXLE LUBE			STD

### Rear Suspension

<b>622-1E8</b>	<b>HENDRICKSON HAULMAAX @40,000# REAR SUSPENSION</b>		840	\$3,977.00
621-1AR	HENDRICKSON HAULMAAX/ULTIMAAX - 9.50" RIDE HEIGHT			N/C
431-001	STANDARD AXLE SEATS IN AXLE CLAMP GROUP			N/C
<b>624-009</b>	<b>54 INCH AXLE SPACING</b>			N/C
628-010	HENDRICKSON HN, HAULMAAX AND ULTIMAAX SERIES STEEL BEAMS WITH BAR PIN			N/C
623-006	FORE/AFT AND TRANSVERSE CONTROL RODS			N/C

### Brake System

018-002	AIR BRAKE PACKAGE			STD
490-100	WABCO 4S/4M ABS			N/C
871-001	REINFORCED NYLON, FABRIC BRAID AND WIRE BRAID CHASSIS AIR LINES			STD
904-001	FIBER BRAID PARKING BRAKE HOSE			STD
412-001	STANDARD BRAKE SYSTEM VALVES			STD
46D-002	STANDARD AIR SYSTEM PRESSURE PROTECTION SYSTEM			STD
413-002	STD U.S. FRONT BRAKE VALVE			STD
432-003	RELAY VALVE WITH 5-8 PSI CRACK PRESSURE, NO REAR PROPORTIONING VALVE			STD
<b>480-088</b>	<b>WABCO SYSTEM SAVER HP WITH INTEGRAL AIR GOVERNOR AND HEATER</b>			STD
<b>479-012</b>	<b>AIR DRYER MOUNTED UNDER HOOD</b>			N/C
* <b>460-093</b>	<b>STEEL AIR BRAKE RESERVOIRS; CUSTOMER ACCEPTS TANKS MOUNTED PERPENDICULAR TO RAIL</b>	10	10	\$201.00
	<b>TWO STACKED AS CLOSE AS POSSIBLE TO AFTERTREATMENT. ONE BELOW THE RAIL. USE BRACKET 12-14352-000</b>			
477-001	PULL CABLE ON WET TANK, PETCOCK DRAIN VALVES ON ALL OTHER AIR TANKS			STD

### Trailer Connections

335-004	UPGRADED CHASSIS MULTIPLEXING UNIT			N/C
32A-002	UPGRADED BULKHEAD MULTIPLEXING UNIT			N/C



Prepared for:  
 23 TMFT360A-2023 TRUVAC 58GVW  
 FLXX  
 VACTOR MANUFACTURING BB  
 1621 SOUTH ILLINOIS ST  
 STREATOR, IL 61364  
 Phone: 815 672 3171

Prepared by:  
 Bob Jensen  
 TRANSCHICAGO TRUCK GROUP  
 776 N. YORK STREET  
 ELMHURST, IL 60126  
 Phone: 630-279-0600 ext.631

Data Code	Description	Weight Front	Weight Rear	Retail Price
<b>Wheelbase &amp; Frame</b>				
545-655	6550MM (258 INCH) WHEELBASE			N/C
546-101	11/32X3-1/2X10-15/16 INCH STEEL FRAME (8.73MMX277.8MM/0.344X10.94 INCH) 120KSI	390	150	\$1,044.00
547-001	1/4 INCH (6.35MM) C-CHANNEL INNER FRAME REINFORCEMENT	210	420	\$1,371.00
552-036	1750MM (69 INCH) REAR FRAME OVERHANG			N/C
55W-006	FRAME OVERHANG RANGE: 61 INCH TO 70 INCH			N/C
AC8-99D	CALC'D BACK OF CAB TO REAR SUSP C/L (CA) : 192.32 in			
AE8-99D	CALCULATED EFFECTIVE BACK OF CAB TO REAR SUSPENSION C/L (CA) : 189.32 in			
AE4-99D	CALC'D FRAME LENGTH - OVERALL : 356.16 in			
FSS-0LH	CALCULATED FRAME SPACE LH SIDE : 123.69 in			N/C
FSS-0RH	CALCULATED FRAME SPACE RH SIDE : 103.23 in			N/C
553-001	SQUARE END OF FRAME			STD
550-001	FRONT CLOSING CROSSMEMBER			STD
559-001	STANDARD WEIGHT ENGINE CROSSMEMBER			STD
561-001	STANDARD CROSSMEMBER BACK OF TRANSMISSION			STD
562-001	STANDARD MIDSHIP #1 CROSSMEMBER(S)			STD
572-001	STANDARD REARMOST CROSSMEMBER			STD
565-001	STANDARD SUSPENSION CROSSMEMBER			STD
<b>Chassis Equipment</b>				
556-1AP	THREE-PIECE 14 INCH PAINTED STEEL BUMPER WITH COLLAPSIBLE ENDS	30		\$65.00
558-001	FRONT TOW HOOKS - FRAME MOUNTED	15		\$74.00
586-024	FENDER AND FRONT OF HOOD MOUNTED FRONT MUDFLAPS			STD
551-007	GRADE 8 THREADED HEX HEADED FRAME FASTENERS			STD
605-1AB	D15-16004-000 CENTER PUNCH TO MARK CENTERLINE OF REAR SUSPENSION ON FRAME WEB			\$21.00
<b>Fuel Tanks</b>				
204-219	70 GALLON/264 LITER RECTANGULAR ALUMINUM FUEL TANK - LH	30	10	\$233.00
218-005	RECTANGULAR FUEL TANK(S)			STD



Prepared for:  
 23 TMFT360A-2023 TRUVAC 58GVW  
 FLXX  
 VACTOR MANUFACTURING BB  
 1621 SOUTH ILLINOIS ST  
 STREATOR, IL 61364  
 Phone: 815 672 3171

Prepared by:  
 Bob Jensen  
 TRANSCHICAGO TRUCK GROUP  
 776 N. YORK STREET  
 ELMHURST, IL 60126  
 Phone: 630-279-0600 ext.631

Data Code	Description	Weight Front	Weight Rear	Retail Price
215-005	PLAIN ALUMINUM/PAINTED STEEL FUEL/HYDRAULIC TANK(S) WITH PAINTED BANDS			STD
<b>212-007</b>	<b>FUEL TANK(S) FORWARD</b>			STD
664-001	PLAIN STEP FINISH			STD
205-001	FUEL TANK CAP(S)			STD
122-1H3	DETROIT FUEL/WATER SEPARATOR WITH WATER IN FUEL SENSOR	-5		N/C
216-020	EQUIFLO INBOARD FUEL SYSTEM			STD
<b>20E-004</b>	<b>AUXILIARY FUEL SUPPLY AND RETURN PORTS LOCATED ON LH FUEL TANK</b>			\$19.00
202-016	HIGH TEMPERATURE REINFORCED NYLON FUEL LINE			STD
* <b>221-021</b>	<b>FUEL COOLER MOUNTED LEFT HAND IN RAIL AT 3600</b>			\$290.00
<b>Tires</b>				
<b>093-1VM</b>	<b>MICHELIN X LINE ENERGY Z 315/80R22.5 20 PLY RADIAL FRONT TIRES</b>	50		\$286.00
<b>094-1UX</b>	<b>MICHELIN X MULTI D 11R22.5 14 PLY RADIAL REAR TIRES</b>		192	(\$288.00)
<b>Hubs</b>				
418-060	CONMET PRESET PLUS PREMIUM IRON FRONT HUBS			STD
450-060	CONMET PRESET PLUS PREMIUM IRON REAR HUBS			STD
<b>Wheels</b>				
<b>502-356</b>	<b>ALCOA ULTRA ONE 89U64X 22.5X9.00 10-HUB PILOT 5.99 INSET ALUMINUM FRONT WHEELS</b>	-28		\$532.00
<b>505-695</b>	<b>ALCOA ULTRA ONE ULT39X 22.5X8.25 10-HUB PILOT ALUMINUM DISC REAR WHEELS</b>		-248	\$1,472.00
<b>524-054</b>	<b>DURA-BLACK (BOTH SIDES) FRONT WHEELS</b>			\$426.00
<b>525-054</b>	<b>DURA-BLACK (BOTH SIDES) OUTER ONLY REAR WHEELS</b>			\$856.00
<b>50T-018</b>	<b>ALCOA DURA-BLACK FRONT HUB COVERS</b>			\$50.00
* 52M-004	FOREMATCH TIRE/WHEEL RUNOUT CHECK/MARK AND STATIC BALANCING. ALL TIRES AND WHEELS			\$225.00
496-011	FRONT WHEEL MOUNTING NUTS			STD
497-011	REAR WHEEL MOUNTING NUTS			STD
495-998	NO PUSHER/TAG WHEEL MOUNTING NUTS			STD

**Cab Exterior**



**Prepared for:**  
 23 TMFT360A-2023 TRUVAC 58GVW  
 FLXX  
 VACTOR MANUFACTURING BB  
 1621 SOUTH ILLINOIS ST  
 STREATOR, IL 61364  
 Phone: 815 672 3171

**Prepared by:**  
 Bob Jensen  
 TRANSCHICAGO TRUCK GROUP  
 776 N. YORK STREET  
 ELMHURST, IL 60126  
 Phone: 630-279-0600 ext.631

Data Code	Description	Weight Front	Weight Rear	Retail Price
829-071	106 INCH BBC FLAT ROOF ALUMINUM CONVENTIONAL CAB			STD
650-008	AIR CAB MOUNTING			\$121.00
705-012	CAB ROOF REINFORCEMENTS FOR ROOF MOUNTED COMPONENTS	2		\$63.00
648-002	NONREMOVABLE BUGSCREEN MOUNTED BEHIND GRILLE			\$36.00
754-008	2-1/2 INCH FENDER EXTENSIONS	10		\$275.00
678-067	SAFETY YELLOW LH AND RH INTERIOR GRAB HANDLES AND LH AND RH EXTERIOR GRAB HANDLES WITH SINGLE RUBBER INSERT			\$80.00
646-045	MOLD-IN COLOR GRILLE			STD
65X-011	MOLD-IN COLOR HOOD MOUNTED AIR INTAKE GRILLE			STD
644-004	FIBERGLASS HOOD			STD
690-002	TUNNEL/FIREWALL LINER			\$35.00
727-1AF	SINGLE 14 INCH ROUND HADLEY AIR HORN UNDER LH DECK	4		\$82.00
726-001	SINGLE ELECTRIC HORN			STD
728-001	SINGLE HORN SHIELD			N/C
575-001	REAR LICENSE PLATE MOUNT END OF FRAME			STD
312-043	INTEGRAL HEADLIGHT/MARKER ASSEMBLY			STD
302-047	LED AERODYNAMIC MARKER LIGHTS			\$34.00
311-001	DAYTIME RUNNING LIGHTS			\$18.00
294-001	INTEGRAL STOP/TAIL/BACKUP LIGHTS			STD
300-015	STANDARD FRONT TURN SIGNAL LAMPS			STD
744-1BC	DUAL WEST COAST BRIGHT FINISH HEATED MIRRORS WITH LH AND RH REMOTE			\$286.00
797-001	DOOR MOUNTED MIRRORS			STD
796-001	102 INCH EQUIPMENT WIDTH			STD
743-204	LH AND RH 8 INCH BRIGHT FINISH CONVEX MIRRORS MOUNTED UNDER PRIMARY MIRRORS			N/C
74A-001	RH DOWN VIEW MIRROR			\$24.00
729-001	STANDARD SIDE/REAR REFLECTORS			STD
768-043	63X14 INCH TINTED REAR WINDOW			STD
661-003	TINTED DOOR GLASS LH AND RH WITH TINTED NON-OPERATING WING WINDOWS			STD
654-027	RH AND LH ELECTRIC POWERED WINDOWS, PASSENGER SWITCHES ON DOOR(S)	4		\$218.00
663-013	1-PIECE SOLAR GREEN GLASS WINDSHIELD			STD



Prepared for:  
 23 TMFT360A-2023 TRUVAC 58GVW  
 FLXX  
 VACTOR MANUFACTURING BB  
 1621 SOUTH ILLINOIS ST  
 STREATOR, IL 61364  
 Phone: 815 672 3171

Prepared by:  
 Bob Jensen  
 TRANSCHICAGO TRUCK GROUP  
 776 N. YORK STREET  
 ELMHURST, IL 60126  
 Phone: 630-279-0600 ext.631

Data Code	Description	Weight Front	Weight Rear	Retail Price
659-019	2 GALLON WINDSHIELD WASHER RESERVOIR WITHOUT FLUID LEVEL INDICATOR, FRAME MOUNTED			STD
<b>Cab Interior</b>				
707-1AK	OPAL GRAY VINYL INTERIOR			N/C
706-026	MOLDED PLASTIC DOOR PANEL WITHOUT VINYL INSERT WITH ALUMINUM KICKPLATE LOWER DOOR			\$13.00
708-026	MOLDED PLASTIC DOOR PANEL WITHOUT VINYL INSERT WITH ALUMINUM KICKPLATE LOWER DOOR			\$26.00
772-006	BLACK MATS WITH SINGLE INSULATION			STD
785-001	DASH MOUNTED ASH TRAYS AND LIGHTER			\$13.00
691-008	FORWARD ROOF MOUNTED CONSOLE WITH UPPER STORAGE COMPARTMENTS WITHOUT NETTING			N/C
694-010	IN DASH STORAGE BIN			STD
742-007	(2) CUP HOLDERS LH AND RH DASH			STD
680-006	GRAY/CHARCOAL FLAT DASH			N/C
860-004	SMART SWITCH EXPANSION MODULE			\$198.00
700-002	HEATER, DEFROSTER AND AIR CONDITIONER			STD
701-001	STANDARD HVAC DUCTING			STD
703-005	MAIN HVAC CONTROLS WITH RECIRCULATION SWITCH			STD
*	<b>689-804</b> PREP KIT FOR CUSTOMER INSTALLED AUXILIARY HEATER, PLUMBING FROM ENGINE TO RAIL UNDER CAB WITH SHUTOFF VALVES			\$325.00
	170-045 STANDARD HEATER PLUMBING WITH BALL SHUTOFF VALVES AT SUPPLY LINES ONLY			\$16.00
*	<b>724-001</b> AUXILIARY HEATER PLUMBING			N/C
	130-041 VALEO HEAVY DUTY A/C REFRIGERANT COMPRESSOR			STD
	702-002 BINARY CONTROL, R-134A			STD
	739-033 STANDARD INSULATION			STD
	285-013 SOLID-STATE CIRCUIT PROTECTION AND FUSES			STD
	280-007 12V NEGATIVE GROUND ELECTRICAL SYSTEM			STD
	324-014 DOME LIGHT WITH 3-WAY SWITCH ACTIVATED BY LH AND RH DOORS			N/C
	657-001 DOOR LOCKS AND IGNITION SWITCH KEYED THE SAME			STD
	78G-004 KEY QUANTITY OF 4			\$18.00
	655-005 LH AND RH ELECTRIC DOOR LOCKS			\$99.00



**Prepared for:**  
 23 TMFT360A-2023 TRUVAC 58GVW  
 FLXX  
 VACTOR MANUFACTURING BB  
 1621 SOUTH ILLINOIS ST  
 STREATOR, IL 61364  
 Phone: 815 672 3171

**Prepared by:**  
 Bob Jensen  
 TRANSCHICAGO TRUCK GROUP  
 776 N. YORK STREET  
 ELMHURST, IL 60126  
 Phone: 630-279-0600 ext.631

Data Code	Description	Weight Front	Weight Rear	Retail Price
284-023	(1) 12 VOLT POWER SUPPLY IN DASH			\$21.00
756-338	BASIC ISRINGHAUSEN HIGH BACK AIR SUSPENSION DRIVERS SEAT WITH MECHANICAL LUMBAR AND INTEGRATED CUSHION EXTENSION	30		\$167.00
760-338	BASIC ISRINGHAUSEN HIGH BACK AIR SUSPENSION PASSENGER SEAT WITH MECHANICAL LUMBAR AND INTEGRATED CUSHION EXTENSION	25	10	\$255.00
759-005	DUAL DRIVER AND PASSENGER SEAT ARMRESTS	8		\$138.00
711-004	LH AND RH INTEGRAL DOOR PANEL ARMRESTS			STD
758-022	BLACK MORDURA CLOTH DRIVER SEAT COVER			\$24.00
761-023	BLACK MORDURA CLOTH PASSENGER SEAT COVER			\$23.00
763-102	HIGH VISIBILITY ORANGE SEAT BELTS			\$13.00
532-002	ADJUSTABLE TILT AND TELESCOPING STEERING COLUMN	10		\$478.00
540-015	4-SPOKE 18 INCH (450MM) STEERING WHEEL			N/C
765-002	DRIVER AND PASSENGER INTERIOR SUN VISORS			STD

### Instruments & Controls

4CH-998	NO TEM INTFC, SW PKG, MUX, LWR DASH			N/C
732-004	GRAY DRIVER INSTRUMENT PANEL			N/C
734-004	GRAY CENTER INSTRUMENT PANEL			N/C
870-001	BLACK GAUGE BEZELS			N/C
486-001	LOW AIR PRESSURE INDICATOR LIGHT AND AUDIBLE ALARM			STD
840-002	2 INCH PRIMARY AND SECONDARY AIR PRESSURE GAUGES			N/C
198-003	DASH MOUNTED AIR RESTRICTION INDICATOR WITH GRADUATIONS			\$36.00
721-001	97 DB BACKUP ALARM		3	\$44.00
149-013	ELECTRONIC CRUISE CONTROL WITH SWITCHES IN LH SWITCH PANEL			N/C
156-007	KEY OPERATED IGNITION SWITCH AND INTEGRAL START POSITION; 4 POSITION OFF/RUN/START/ACCESSORY			STD
811-042	ICU3S, 132X48 DISPLAY WITH DIAGNOSTICS, 28 LED WARNING LAMPS AND DATA LINKED			N/C



Prepared for:  
 23 TMFT360A-2023 TRUVAC 58GVW  
 FLXX  
 VACTOR MANUFACTURING BB  
 1621 SOUTH ILLINOIS ST  
 STREATOR, IL 61364  
 Phone: 815 672 3171

Prepared by:  
 Bob Jensen  
 TRANSCHICAGO TRUCK GROUP  
 776 N. YORK STREET  
 ELMHURST, IL 60126  
 Phone: 630-279-0600 ext.631

Data Code	Description	Weight Front	Weight Rear	Retail Price
160-039	(1) HEAVY DUTY ONBOARD DIAGNOSTICS INTERFACE CONNECTOR LOCATED BELOW LH DASH AND (1) SAE J1939 DIAGNOSTIC INTERFACE CONNECTOR LOCATED CENTER OF DASH			\$11.00
844-001	2 INCH ELECTRIC FUEL GAUGE			STD
148-003	PROGRAMMABLE RPM CONTROL - ELECTRONIC ENGINE			N/C
856-001	ELECTRICAL ENGINE COOLANT TEMPERATURE GAUGE			STD
864-001	2 INCH TRANSMISSION OIL TEMPERATURE GAUGE			N/C
830-017	ENGINE AND TRIP HOUR METERS INTEGRAL WITHIN DRIVER DISPLAY			STD
372-051	CUSTOMER FURNISHED AND INSTALLED PTO CONTROLS			N/C
852-002	ELECTRIC ENGINE OIL PRESSURE GAUGE			STD
679-998	NO OVERHEAD INSTRUMENT PANEL			(\$69.00)
746-135	AM/FM/WB WORLD TUNER RADIO WITH SIRIUSXM, BLUETOOTH, IPOD INTERFACE, USB AND AUXILIARY INPUTS, J1939	10		\$490.00
747-001	DASH MOUNTED RADIO			N/C
750-002	(2) RADIO SPEAKERS IN CAB			N/C
753-001	AM/FM ANTENNA MOUNTED ON FORWARD LH ROOF			N/C
78C-003	INTEROPERABLE SDAR ANTENNA			\$82.00
810-027	ELECTRONIC MPH SPEEDOMETER WITH SECONDARY KPH SCALE, WITHOUT ODOMETER			STD
817-001	STANDARD VEHICLE SPEED SENSOR			STD
812-001	ELECTRONIC 3000 RPM TACHOMETER			STD
6TS-003	(2) TMC RP 1226 ACCESSORY CONNECTORS: (1) LOCATED BEHIND DASH B PANEL AND (1) LOCATED PASSENGER SIDE OF DASH			\$49.00
162-002	IGNITION SWITCH CONTROLLED ENGINE STOP			N/C
4C1-998	NO HARDWIRE SWITCH #1			STD
4C2-998	NO HARDWIRE SWITCH #2			STD
4C3-998	NO HARDWIRE SWITCH #3			STD
4C4-998	NO HARDWIRE SWITCH #4			STD
836-015	DIGITAL VOLTAGE DISPLAY INTEGRAL WITH DRIVER DISPLAY			STD
660-008	SINGLE ELECTRIC WINDSHIELD WIPER MOTOR WITH DELAY			STD



**Prepared for:**  
 23 TMFT360A-2023 TRUVAC 58GVW  
 FLXX  
 VACTOR MANUFACTURING BB  
 1621 SOUTH ILLINOIS ST  
 STREATOR, IL 61364  
 Phone: 815 672 3171

**Prepared by:**  
 Bob Jensen  
 TRANSCHICAGO TRUCK GROUP  
 776 N. YORK STREET  
 ELMHURST, IL 60126  
 Phone: 630-279-0600 ext.631

Data Code	Description	Weight Front	Weight Rear	Retail Price
304-001	MARKER LIGHT SWITCH INTEGRAL WITH HEADLIGHT SWITCH			N/C
882-009	ONE VALVE PARKING BRAKE SYSTEM WITH WARNING INDICATOR			STD
299-013	SELF CANCELING TURN SIGNAL SWITCH WITH DIMMER, WASHER/WIPER AND HAZARD IN HANDLE			N/C
298-039	INTEGRAL ELECTRONIC TURN SIGNAL FLASHER WITH HAZARD LAMPS OVERRIDING STOP LAMPS			STD

**Design**

065-000	PAINT: ONE SOLID COLOR			STD
---------	------------------------	--	--	-----

**Color**

980-5F6	CAB COLOR A: L0006EY WHITE ELITE EY			STD
986-020	BLACK, HIGH SOLIDS POLYURETHANE CHASSIS PAINT			STD
<del>964-6Z7</del>	<del>BUMPER PAINT. FP24812 ARGENT SILVER DUPONT FLEX</del>			STD
963-003	STANDARD E COAT/UNDERCOATING			STD

964-3A1 Bumper Paint: N0001EA Black Elite SS

**Certification / Compliance**

N	996-001	U.S. FMVSS CERTIFICATION, EXCEPT SALES CABS AND GLIDER KITS		STD
---	---------	-------------------------------------------------------------	--	-----

**Raw Performance Data**

AE8-99D	CALCULATED EFFECTIVE BACK OF CAB TO REAR SUSPENSION C/L (CA) : 189.32 in
---------	--------------------------------------------------------------------------

**Sales Programs**

NO SALES PROGRAMS HAVE BEEN SELECTED

**T O T A L V E H I C L E S U M M A R Y**

**Adjusted List Price**

Adjusted List Price \*\*      \$158,236.00

**Weight Summary**

Weight Front	Weight Rear	Total Weight
--------------	-------------	--------------





**Prepared for:**  
 23 TMFT360A-2023 TRUVAC 58GVW  
 FLXX  
 VACTOR MANUFACTURING BB  
 1621 SOUTH ILLINOIS ST  
 STREATOR, IL 61364  
 Phone: 815 672 3171

**Prepared by:**  
 Bob Jensen  
 TRANSCHICAGO TRUCK GROUP  
 776 N. YORK STREET  
 ELMHURST, IL 60126  
 Phone: 630-279-0600 ext.631

Factory Weight <sup>+</sup>	8008 lbs	7590 lbs	15598 lbs
Total Weight <sup>+</sup>	8008 lbs	7590 lbs	15598 lbs

**ITEMS NOT INCLUDED IN ADJUSTED LIST PRICE**

**Other Factory Charges**

PNZ-002	CARB22 BASE WARRANTY DD8 DS/B6.7/ L9 >=330	\$1,670.00
PMV-021	GHG21 ENHANCEMENT PRICE	\$510.00
RAG-020	CUMMINS TARIFF CHARGE - \$205	\$205.00
RFY-022	FRONT TIRE SURCHARGE	\$50.00
RFU-022	REAR TIRE SURCHARGE	\$200.00
RFZ-023	MY23 PRODUCTION COST SURCHARGE	\$2,900.00
P73-2FT	STANDARD DESTINATION CHARGE	\$2,700.00

**Extended Warranty**

WAG-010	TOWING: 1 YEAR/UNLIMITED MILES/KM EXTENDED TOWING COVERAGE \$550 CAP FEX APPLIES	\$200.00
	Currency Exchange Rate	1.0000
	Total Extended Warranty (Local Currency)	\$200.00

(+) Weights shown are estimates only.

If weight is critical, contact Customer Application Engineering.

(\*\*) Prices shown do not include taxes, fees, etc... "Net Equipment Selling Price" is located on the Quotation Details Proposal Report.

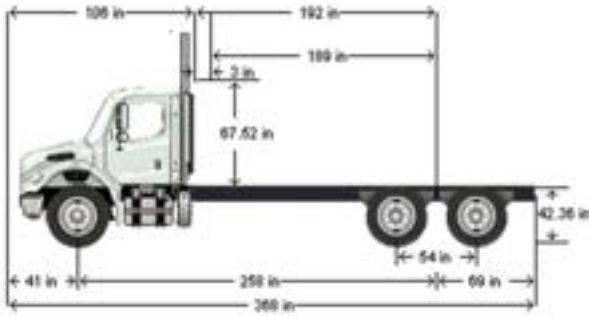
(\*\*\*) All cost increases for major components (Engines, Transmissions, Axles, Front and Rear Tires) and government mandated requirements, tariffs, and raw material surcharges will be passed through and added to factory invoices.



**Prepared for:**  
 23 TMFT360A-2023 TRUVAC 58GVW  
 FLXX  
 VACTOR MANUFACTURING BB  
 1621 SOUTH ILLINOIS ST  
 STREATOR, IL 61364  
 Phone: 815 672 3171

**Prepared by:**  
 Bob Jensen  
 TRANSCHICAGO TRUCK GROUP  
 776 N. YORK STREET  
 ELMHURST, IL 60126  
 Phone: 630-279-0600 ext.631

**D I M E N S I O N S**



**VEHICLE SPECIFICATIONS SUMMARY - DIMENSIONS**

Model .....	M2106
Wheelbase (545) .....	6550MM (258 INCH) WHEELBASE
Rear Frame Overhang (552) .....	1750MM (69 INCH) REAR FRAME OVERHANG
Fifth Wheel (578) .....	NO FIFTH WHEEL
Mounting Location (577) .....	NO FIFTH WHEEL LOCATION
Maximum Forward Position (in) .....	0
Maximum Rearward Position (in) .....	0
Amount of Slide Travel (in) .....	0
Slide Increment (in) .....	0
Desired Slide Position (in) .....	0.0
Cab Size (829) .....	106 INCH BBC FLAT ROOF ALUMINUM CONVENTIONAL CAB
Sleeper (682) .....	NO SLEEPER BOX/SLEEPER CAB
Exhaust System (016) .....	RH OUTBOARD UNDER STEP MOUNTED HORIZONTAL AFTERTREATMENT SYSTEM ASSEMBLY WITH RH B-PILLAR MOUNTED VERTICAL TAILPIPE

**TABLE SUMMARY - DIMENSIONS**



**Prepared for:**  
 23 TMFT360A-2023 TRUVAC 58GVW  
 FLXX  
 VACTOR MANUFACTURING BB  
 1621 SOUTH ILLINOIS ST  
 STREATOR, IL 61364  
 Phone: 815 672 3171

**Prepared by:**  
 Bob Jensen  
 TRANSCHICAGO TRUCK GROUP  
 776 N. YORK STREET  
 ELMHURST, IL 60126  
 Phone: 630-279-0600 ext.631

Dimensions	Inches
Bumper to Back of Cab (BBC)	106.3
Bumper to Centerline of Front Axle (BA)	40.7
Front Axle to Back of Cab (AC)	65.6
Min. Cab to Body Clearance (CB)	3.0
Back of Cab to Centerline of Rear Axle(s) (CA)	192.3
Effective Back of Cab to Centerline of Rear Axle(s) (Effective CA)	189.3
Back of Cab Protrusions (Exhaust/Intake) (CP)	2.0
Back of Cab Protrusions (Side Extenders/Trim Tab) (CP)	0.0
Back of Cab Protrusions (CNG Tank)	0.0
Back of Cab Clearance (CL)	3.0
Back of Cab to End of Frame	261.2
Cab Height (CH)	67.5
Wheelbase (WB)	257.9
Frame Overhang (OH)	68.9
Overall Frame Length	356.2
Overall Length (OAL)	367.5
Rear Axle Spacing	54.0
Unladen Frame Height at Centerline of Rear Axle	42.4

Performance calculations are estimates only. If performance calculations are critical, please contact Customer Application Engineering.



## 6" VACUUM SYSTEM

Fully powered extendable boom

## COMPACT YET POWERFUL

A powerful vacuum system in a smaller, more maneuverable frame



## AIR AND HYDRO

Multiple excavation options for all conditions

## FAST AND EFFICIENT

Locate underground utilities while protecting vulnerable infrastructure

## DIGGING CUSTOMIZED. DIGGING DURABLE. DIGGING SMART.

The perfect safe-digging machine for a wide range of demanding applications, the Prodigy<sup>®</sup> delivers incredible versatility in a powerful yet smaller package, with lower operating costs than larger machines. All backed by the TRUVAC<sup>®</sup> commitment to quality.

## THIS TRUCK CAN:

- Excavate precisely with water or air
- Power pneumatic, hydraulic, or electric tools
- Control water pressure with the press of a button using DigRight<sup>®</sup> patented technology
- Be customized to fit your specific needs



# PRODIGY SPECS

**BOOM** 6" vacuum system, extendable to 16' reach, 320 degree rotation

**CHASSIS** Multiple options including not FET choices

**DEBRIS BODY** 50 degree tilting 9 yd<sup>3</sup> debris body

**VACUUM SYSTEM** Positive displacement blower rated at 16 in-HG and 3200 cfm

**WATER SYSTEM** 10 gpm at 3000 psi water pump with DigRight<sup>®</sup> technology



## BACKED BY TRUVAC SUPPORT

It's not just our innovative technology and dependability that makes digging with TRUVAC vacuum excavators the smart choice. We back up our vacuum excavators with an unrestrained commitment to quality and service. Dedication, responsiveness, personal care. **They aren't words—they're our promise.**

- Parts and service centers coast-to-coast
- Dedicated training for equipment use, best practices and safe digging, and maintenance
- Rapid-response time ensures machines are back up and running

**When it comes to quality engineering, innovation and reliable service, no other vacuum excavators can match TRUVAC.**

PHONE: (800) 627-3171 | EMAIL: [sales@truvac.com](mailto:sales@truvac.com)



**TRUVAC<sup>®</sup>**  
by Vactor Mfg., Inc.

June 6, 2022 City Council Meeting

Moved by Councilmember \_\_\_\_\_ and seconded by Councilmember \_\_\_\_\_ to approve a five-year agreement with PSLZ, LLC as submitted and signed by Managing Partner Rana Emmons in a proposal dated May 12, 2022, to provide Professional Auditing Services for the City of Berkley as the lowest qualified and recommended bidder in the amount of \$30,000 in Fiscal Year 2022-2023, and the following four years as follows; \$31,000 in year two, \$32,000 in year three, \$32,000 in year four, and \$33,000 in year five. Also, for PSLZ, LLC to provide services to file a Single Audit, if necessary, for \$5,000 each, in year one and two and \$6,000 each year in years three through five.

Ayes:

Nays:

Motion:

# City of Berkley-Finance Department

---

## MEMORANDUM

**To:** Matt Baumgarten, City Manager  
**From:** Mark Pollock, Finance Director/Treasurer  
**Date:** May 26, 2022  
**Subject:** Review and Recommendation for Audit RFP

---

Plante Moran has been the City of Berkley's Professional Auditing firm for 16 years. Although we did not have any specific issues with Plante Moran as an auditing firm, we did have some issues with a changeover in personnel who dealt with our finance staff during fieldwork for our annual audit. This did present some frustration over the past three years, so I did share that concern with Keith Szymanski, our Plante Moran audit partner. Plante Moran continues to be one of the most respected audit firms in this area of Southeast Michigan and we continue to hold them in high regard. I explained to Keith that this RFP was being done mostly in the interest of honoring our due diligence for auditing service and to see where annual audit fees compared to other firms in this area.

The Finance Department prepared and issued a Request for Proposals (RFP) for Professional Audit Services back on April 18, 2022. Mike Smith was essential in assisting the Finance Department with preparing and issuing this RFP. The RFP was posted with a deadline for submission of May 13, 2022. I received questions from four different audit firms and answered them by the following day. All firms who submitted questions did subsequently submit an RFP for our consideration. By the May 13<sup>th</sup>, 10 AM deadline, we received eight proposals all of whom met the requirements of the RFP criteria. The bids were opened by Me and Victoria Mitchell, our City Clerk on May 13th, and a bid tab list of those proposals was prepared on that day.

The results of those bid proposals were included in the folder made available by Victoria Mitchell for City Council review on Monday, May 16, 2022. In summary, all of the bids presented the required amount for an annual audit and a separate single-audit for federal funds, if required. For the professional audit proposal, the bid amounts ranged from a low bid of \$30,000.00 to a high bid of \$60,000.00. The single-audit bids ranged from a low of \$5,000.00 to a high bid amount of \$15,000.00.

Mike Smith and I reviewed all of the bids on May 17, 2022, and reviewed them for the bid amount, completeness of requirements, experience with municipal clients, and references. Mike and I agreed to narrow down the RFPs originally down from eight to four and then from four to three. Although bid price is a very important part of the selection criteria, it was not the only factor in our selection. Plante Moran was given extra consideration since they have been the auditing firm for the City of Berkley for many years. However, we could not overlook that their auditing service proposal of \$57,000 was the third-highest among all eight firms that submitted a proposal and were the highest among the final four that we originally chose as finalists. Due to that, we did not include them in our final three proposals. After that, we reviewed the bid proposal price and references of those final three.

After weighing all of the vital criteria and careful consideration, we agreed that PSLZ, LLC was the best choice as the next auditing firm for the City of Berkley. Not only was their bid of \$30,000.00 the lowest bid price of the three we chose as finalists, but they were the lowest in bid price by \$12,000.00 over the next lowest bidder. They also tied for the lowest proposal of a single-audit bid of \$5,000.00. These are two of the many reasons we are recommending the City Council approve PSLZ, LLC as the next Professional Auditing firm for the City of Berkley.

Although receiving a bid significantly below the others could be a red flag, I spoke with Rana Emmons from PSLZ, LLC and asked her why they were so much farther below the other bids and she assured me that they most often do charge lower than most firms and they bid what they thought would give them the best chance to work with Berkley. Their experience with local government auditing with several clients close in size to Berkley along with other larger organizations, as well as their impeccable reputation in Southeast Michigan makes them the best choice for Berkley. Also, in the interest of full disclosure, Mike Smith and I have both worked with their firm and audit partner, Rana Emmons. We both agreed that PSLZ, LLC and Rana Emmons are tremendous to work with as municipal auditors and our experience with Rana and her firm more than exceeded our expectations. I worked with PSLZ, LLC as the City of Clawson's auditing firm for my 18 years there and Mike also worked with them during all of his years in Clawson and his time in Wolverine Lake. Since Laurie is also a big part of our annual audit preparation, I asked her to review RFPs and give us her thoughts. Although she was not able to review all of the submitted proposals, she agrees with our recommendation of PSLZ, LLC as the next auditing firm for the City of Berkley.

PSLZ, LLC represents numerous municipal clients in this area including Rochester, Plymouth, Keego Harbor, Wolverine Lake, Franklin, Bingham Farms, and Clarkston. They also represent several Townships including Lyon, Oxford, and Ypsilanti.

Their RFP, as requested shows their proposed annual audit rates as follows: Year 1 - \$30,000, Year 2 - \$31,000, Year 3 - \$32,000, Year 4 - \$32,000, and Year 5 - \$33,000. Single Audit proposed amounts are \$5,000 in years 1 and 2 and \$6,000 in years 3 through 5. Rana will attend the June 6, 2022, City Council meeting and will be happy to introduce herself and her firm, PSLZ, LLC to the City Council, City Staff, and all of Berkley. I spoke with her and she is extremely excited to work with Berkley as her newest client. If you or City Council have any questions please let me know.



**CITY OF BERKLEY**  
**“Professional Auditing Services”**  
**For the Finance Department**  
***Bid Opening: Friday, May 13, 2022 @ 10 AM***

<b><u>Business Name</u></b>	<b><u>Address</u></b>	<b><u>Bid (Base Services)</u></b>	<b><u>References</u></b>
Andrews Hooper Pavlik PLC	43252 Woodward Ave. Suite 150 Bloomfield Hills, MI 48302	\$42,000 Single Audit: \$7,000	Y
Plante & Moran, PLLC	Suite 300 19176 Hall Road Clinton Township, MI 48038	\$57,000 Single Audit: \$13,000	Y
Clark Schaefer Hackett	3505 Coolidge Road East Lansing, MI 48823	\$60,000 Single Audit: \$10,000	Y
Maner Costerisan	2425 E. Grand River Ave. Suite 1 Lansing, MI 48912	\$45,800 Single Audit: \$5,000	Y
Yeo & Yeo	691 N. Squirrel Road, Suite 100 Auburn Hills, MI 48326	\$58,000 Single Audit: \$5,000	Y
UHY LLP	27725 Stansbury Blvd Suite 200 Farmington Hills, MI 48334	\$49,000 Single Audit: \$15,000	Y
PSLZ PLLC	19500 Victor Parkway Suite 460 Livonia, MI 48152	\$30,000 Single Audit: \$5,000	Y

Rehmann Robson LLC	1500 W. Big Beaver Rd Second Floor Troy, MI 48084	\$50,000 Single Audit: \$8,000	Y
--------------------	---------------------------------------------------------	-----------------------------------	---

June 6, 2022 City Council Meeting

Moved by Councilmember \_\_\_\_\_ and seconded by Councilmember \_\_\_\_\_ to approve a Downtown Development Authority (DDA) event, "Berkley Pride Block Party" on Robina north of 12 Mile Road on Sunday, June 26, 2022 from noon to 4 p.m. Approval is conditional upon the submission of required items and documents prior to the event date.

Ayes:

Nays:

Motion:



**CITY OF BERKLEY  
COMMUNITY SPECIAL EVENT  
PERMIT APPLICATION DISPOSITION CHECKLIST**

**Event Name:** BERKLEY PRIDE BLOCK PARTY

<i>Event Date(s)</i>	<i>Location(s)</i>	<i>Event Hours</i>
<u>JUNE 26, 2022</u>	<u>ROBINA, NORTH OF 12 MILE RD.</u>	<u>12:00 - 4:00 PM</u>

**ORGANIZATION:**

<b>Organization Name:</b> <u>BERKLEY DOWNTOWN DEVELOPMENT AUTHORITY</u>			
<b>Headquarters Street Address:</b> <u>3338 COOLIDGE HIGHWAY</u>			
<b>City:</b> <u>BERKLEY</u>	<b>State:</b> <u>MI</u>	<b>Zip Code:</b> <u>48072</u>	<b>Phone:</b> <u>(248) 658-3353</u>
<b>Website:</b> <u>WWW.DOWNTOWNBERKLEY.COM</u>			

**Tax Exempt Status (as defined by the US Internal Revenue Service):**

Non-Profit  501(c)(3)  N/A  Other (specify) PUBLIC AUTHORITY

The following documents have been submitted:

- |                                                                 |                                                                     |
|-----------------------------------------------------------------|---------------------------------------------------------------------|
| Completed application                                           | <input checked="" type="checkbox"/> YES <input type="checkbox"/> NO |
| Valid IRS tax exempt verification                               | <input type="checkbox"/> YES <input type="checkbox"/> NO            |
| Financial report for the preceding fiscal year                  | <input checked="" type="checkbox"/> YES <input type="checkbox"/> NO |
| Proof of Commercial Liability Coverage                          | <input type="checkbox"/> YES <input type="checkbox"/> NO            |
| Estimated cost to execute the solicitation / event              | <input checked="" type="checkbox"/> YES <input type="checkbox"/> NO |
| Charitable Solicitation / Special Event Hold Harmless Agreement | <input checked="" type="checkbox"/> YES <input type="checkbox"/> NO |

**Application reviewed by:** Public Safety BK Public Works [Signature]  
 Building Official NIA

**Comments:**  
 \_\_\_\_\_

<b>Presented to City Council:</b>			
<b>Date:</b> _____	<b>Approved:</b> <input type="checkbox"/> YES <input type="checkbox"/> NO	<b>Organization Notified</b> <input type="checkbox"/> YES <input type="checkbox"/> NO	_____ <i>Date</i>



City Clerk's Office  
 3338 Coolidge Hwy.  
 Berkley, MI 48072  
 248-658-3300  
 Fax: 248-658-3301  
 www.berkleymich.org

Print Form

# CITY OF BERKLEY, MICHIGAN

## COMMUNITY SPECIAL EVENT APPLICATION

Name of Event: BERKLEY PRIDE BLOCK PARTY

**Organization / Contact:**

Name of Organization: BERKLEY DDA Contact's Name: MICHAEL MCGUINNESS  
 Address: 3338 COOLIDGE HIGHWAY City: BERKLEY State/zip: MI 48072  
 Telephone: (248) 658-3353 24 Hour Emergency Contact:

*If event will be on private property owned by someone else, then a letter of permission from the property owner must be submitted with the application.*

Event Location: ROBINA, NORTH OF 12 MILE, IN DOWNTOWN BERKLEY

*If the event involves city streets or sidewalks, include a map showing the location. A petition from affected businesses may be required.*

Dates and Hours of Event: SUNDAY, JUNE 26, 2022 FROM 12 PM TO 4 PM

How many employees or volunteers? 1 EMPLOYEE, 24 VOLUNTEERS

How will site be secured during off-hours? NO SETUP OR MATERIALS WILL REMAIN BEYOND THE EVENTS SAME DAY

What type of merchandise will be sold? NONE PLANNED

If you are selling food, include a copy of your receipt from Oakland County Health Department. NOT APPLICABLE

Will there be any electricity outside the building (e.g., extension cords, heaters, lights)?  
 If yes, an electrical inspection by the City will be required after set up and before opening. YES

Include a Site Plan showing where merchandise will be sold, how pedestrian and vehicular traffic will circulate on the site.

What are your plans for set up and removal? HANDLED BY DDA EMPLOYEE AND VOLUNTEERS, SAME DAY OF EVENT

Tax Exempt Status (as defined by the US Internal Revenue Service):  
 Non-Profit  501.C3  Other (specify)  PUBLIC AUTHORITY, ALTHOUGH THERE IS ALSO A 501(C)3 NON-PROFIT

- Include the following documents:
- Internal Revenue Service tax exempt documentation for the organization.
  - Organization's financial report for the preceding fiscal year.
  - Proof of Commercial Liability Coverage on an "occurrence basis", naming the City of Berkley as additional insured, with no less than \$1,000,000 per occurrence and/or combined single limit, Personal Injury, Bodily injury, and Property Damage. (CITY OF BERKLEY COVERAGE)
  - Liquor Liability, \$500,000 per occurrence and \$500,000 aggregate. (if applicable)
  - Special Event Hold Harmless Agreement signed by an authorized representative

By Ordinance, each Community Special Event is limited to a maximum of 7 days.

Applications must be received at least 45 days prior to the event. Events involving the public right of way will require City Council approval. I understand that a representative of the organization will need to attend the City Council meeting. The City will notify me of the meeting date and time.

An application will be denied or an event shut down if complete and accurate information is not provided.

*Michael McGuinness*  
 Signature of Applicant

MAY 10, 2022  
 Date

## APPROVALS

DEPARTMENT	Approve (YES/NO)	Signature	Date
Planning/Building		N/A	
Comments:			
Public Safety	yes	m. Lee	5-24-22
Comments:			
Notify SMART, ambulance, and waste collection of any road closures.			
Public Works	yes	[Signature]	6-2-22
Comments:			
Parks/Recreation	yes	[Signature]	5/26/22
Comments:			
City Clerk	yes	[Signature]	5/30/2022
Comments:			
City Manager	yes	[Signature]	5/18/22
Comments:			

**For City Use Only:**

Date Application Received

5-17-22

Receipt Number

PTU22-0010

Received	Receipt Number	Date Received
Application Fee (\$200.00) <input type="checkbox"/>		
Clean up Bond (\$100.00) <input type="checkbox"/>		
Fee Waived <input checked="" type="checkbox"/>	City Manager's approval required	[Signature]

City Manager's Signature: [Signature]

Date:

5/18/22

IF APPLICABLE:

Motion Number:

Conditions (if any):

Is fee to be reimbursed?



# CITY OF BERKLEY COMMUNITY SPECIAL EVENT HOLD HARMLESS AGREEMENT

This Hold Harmless Agreement is between BERKLEY DDA (the Organization) and the City of Berkley, Michigan, (City) for the date(s) specified below.

Organization Name BERKLEY DOWNTOWN DEVELOPMENT AUTHORITY (DDA)  
Address 3338 COOLIDGE HIGHWAY  
City BERKLEY State MI Zip 48072 Phone (248) 658-3353  
Event Name BERKLEY PRIDE BLOCK PARTY  
Event Location(s) ROBINA, NORTH OF 12 MILE Event Date(s) 06-26-2022

To the fullest extent permitted by law, the Organization expressly agrees to indemnify and hold harmless the City of Berkley, its elected and appointed officials, its employees and volunteers and others working on behalf of the City, from and against all loss, cost, expense, damage, liability or claims (whether groundless or not) arising out of bodily injury, sickness or disease (including death resulting at any time there from) which may be sustained or claimed by any person or persons participating in the above named event.

This includes damage or destruction of any property (including loss of use) based on any act or omission (negligent or otherwise) of the Organization or anyone acting on its behalf in connection with or incidental to this agreement. The Organization shall, at its own cost and expense, defend any such claim and any suit, action, or proceeding which may be commenced hereunder. In the event of any suit, action or proceeding, the Organization shall pay:

- Any and all judgments which may be recovered.
- Any and all expenses, including, but not limited to, costs, attorneys' fees and settlement expenses which may be incurred.

The Organization shall not be responsible to the City on indemnity for damages caused by or resulting from the City's sole negligence.

Authorized Representative MICHAEL MCGUINNESS Title EXECUTIVE DIRECTOR  
(Please print)

Signature [Handwritten Signature] Date MAY 10, 2022

# CITY OF BERKLEY MICHIGAN

## TEMPORARY TRAFFIC CONTROL ORDER

**(TCO NUMBER)**

In accordance with the duly adopted Uniform Traffic Code for Cities, Townships, and Villages, the Traffic Engineer hereby issues the following Temporary Traffic Control Order.

**Film Permit Applicant:** *Please provide the information requested in the shaded area. Submit this page with your application.*

<b>PROJECT NAME:</b>	BERKLEY PRIDE BLOCK PARTY
<b>Location</b>	ROBINA AVENUE, NORTH OF 12 MILE ROAD
<b>DATE/S/TIMES:</b>	SUNDAY, JUNE 26, 2022
	9:00 AM TO 12:00 PM SETUP
	12:00 PM TO 4:00 PM EVENT TIME
	4:00 PM TO 6:00 PM CLEANUP
<b>RESPONSIBLE PARTY:</b>	BERKLEY DOWNTOWN DEVELOPMENT AUTHORITY
<b>Name:</b>	MICHAEL MCGUINNESS
<b>Street Address:</b>	3338 COOLIDGE HIGHWAY
<b>City/State/ZIP:</b>	BERKLEY, MICHIGAN 48072
<b>Contact Phone:</b>	(248) 658-3353
<b>Email address:</b>	MMC@GUINNESS@BERKLEYMICH.NET

**For Official Use Only:**

<b>Action required by City :</b>	
<i>(Attach additional pages if needed)</i>	

Approved by: <i>(Print name and title below)</i>	Signature:	Date:
Public Safety	<i>m. k...</i>	5-24-22
Public Works	<i>[Signature]</i>	6-2-22
Building Official	N/A	

**\*\*Original – Traffic Control File**

*Return copy of completed form to City Clerk's Office*





# BERKLEY Pride

**DOWNTOWN  
BERKLEY** **BLOCK PARTY**

retro feel. metro appeal.

**SUNDAY, JUNE 26 ■ 12-4PM**

**DOWNTOWN BERKLEY /// ROBINA NORTH AT 12 MILE**

**DJ  
ENTERTAINMENT  
FOOD TRUCKS  
KID CRAFTS  
GAMES  
COMMUNITY OUTREACH  
BOOTHs**

**[DOWNTOWNBERKLEY.COM/BERKLEYPRIDE](http://DOWNTOWNBERKLEY.COM/BERKLEYPRIDE)**



**FREE  
FAMILY  
FUN  
& FREE  
PARKING**

# **Berkley Downtown Development Authority Berkley Pride Block Party**

**Sunday, June 26, 2022  
12:00 PM to 4:00 PM**

**Location: Robina Avenue, north of 12 Mile Road**

*(pending municipal approval)*

**Objective: Continue our expanded Downtown Berkley promotional events calendar and build upon the momentum of our newer Downtown Block Party Series; Draw further interest and activity to the Robina business cluster and infuse foot traffic for downtown businesses on an otherwise slower Sunday; Leverage the latest downtown mural at Robina; Stimulate additional exposure of the unique experiences and shopping opportunities offered in dynamic Downtown Berkley; Bring the Berkley community together during Pride month.**

Inspired by the City of Berkley's beloved tradition of neighborhood block parties throughout residential sections of our community, and building off of our continued downtown promotional events success, our Berkley Downtown Development Authority launched a series of downtown 'Block Party' events last October (Monster Mash), this February (Frozen February), and May (Fam Jam at Flipside Records). These block parties will be intentionally moved throughout our sizeable downtown to activate more segments of the thoroughfares, and spotlight the many unique and interesting downtown retailers Downtown Berkley offers.

For our next Downtown Block Party, the theme is Berkley Pride Block Party. It will feature family-friendly games and crafts, resource tents, food trucks, and DJ entertainment. Multiple downtown businesses are making an intentional point of expanding their hours to open on Sunday to capitalize on the increased foot traffic. We welcome additional creative ways that other businesses and community organizations would like to add to this event, so please let us know your thoughts and interest.

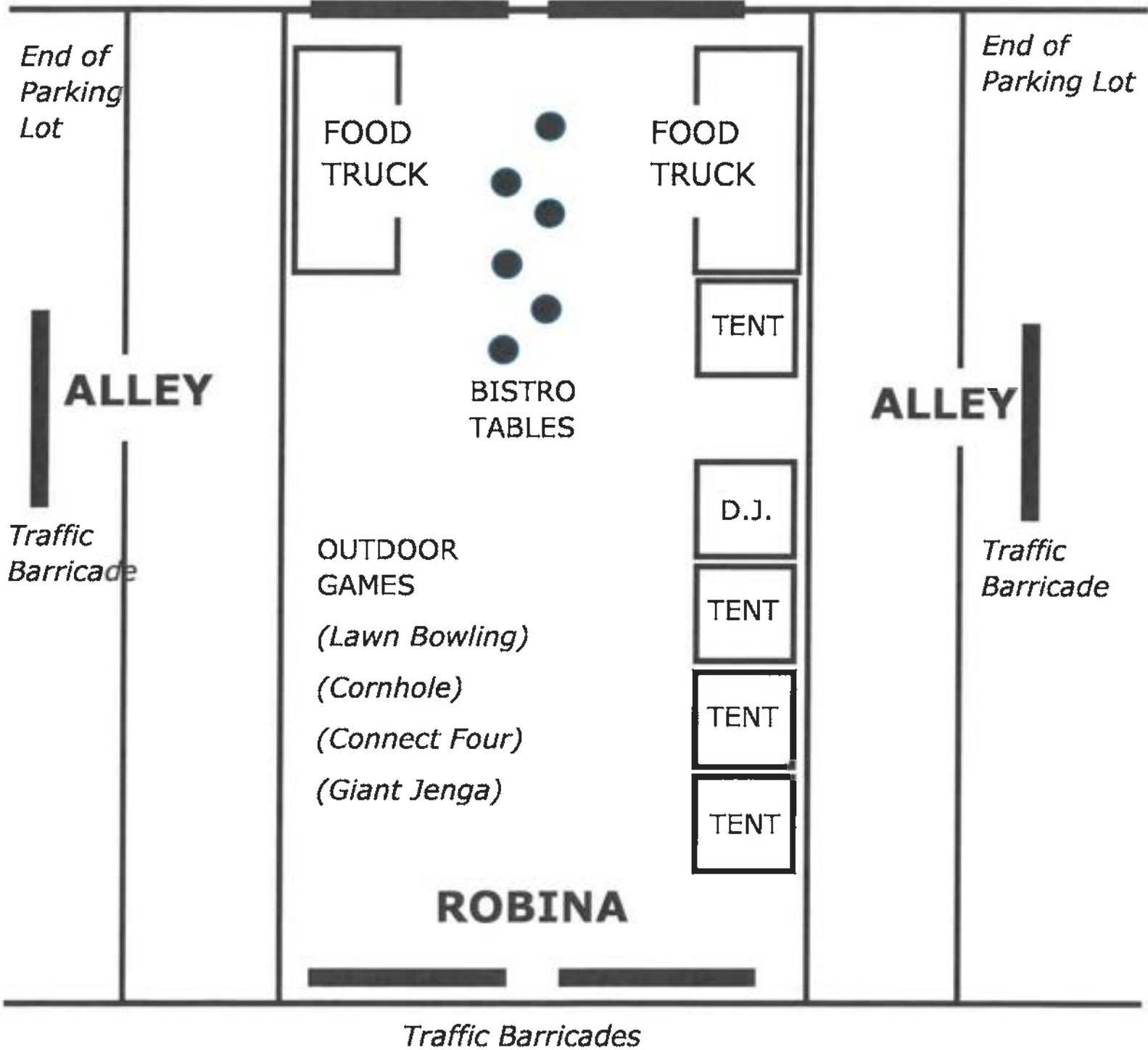
Estimated Budget: \$1,800

Costs to Cover:

- Paid Social Media Marketing and Promotional Efforts
- Downtown Berkley Promotional Items for Distribution
- 'Card My Yard' BERKLEY PRIDE Temporary Signage and Photo Stations
- Décor to Enhance the Robina Streetscape
- Arts and Craft Station Supplies
- Face Painting Station Materials
- Anticipated Stipend for Musical DJ Service
- Promotional Shirts for Downtown Berkley Volunteers

# BERKLEY PRIDE BLOCK PARTY PROPOSED LAYOUT CONFIGURATION

*Traffic Barricades*



*End of  
Parking  
Lot*

*End of  
Parking Lot*

FOOD  
TRUCK

FOOD  
TRUCK

TENT

BISTRO  
TABLES

ALLEY

D.J.

*Traffic  
Barricade*

OUTDOOR  
GAMES  
*(Lawn Bowling)*  
*(Cornhole)*  
*(Connect Four)*  
*(Giant Jenga)*

TENT

TENT

TENT

**ROBINA**

*Traffic Barricades*

**TWELVE MILE ROAD**

Fund 814 DDA

GL Number	Description	Current Year Beg. Balance	Balance
*** Assets ***			
Cash			
814-000-001-000	CASH IN BANK	379,768.01	386,311.47
814-000-004-000	CASH - IMPREST PAYROLL	0.00	(6,436.91)
814-000-005-000	PETTY CASH	300.00	300.00
Cash		<u>380,068.01</u>	<u>380,174.56</u>
Accounts Receivable			
814-000-026-000	DELINQUENT PPT RECEIVABLE	7,809.21	2,488.62
814-000-040-001	ACCOUNTS RECEIVABLE - MANUAL	26.97	0.00
Accounts Receivable		<u>7,836.18</u>	<u>2,488.62</u>
Other Assets			
Other Assets		<u>0.00</u>	<u>0.00</u>
<b>Total Assets</b>		<b><u>387,904.19</u></b>	<b><u>382,663.18</u></b>
*** Liabilities ***			
Accounts Payable			
814-000-202-000	ACCOUNTS PAYABLE	146.50	0.00
Accounts Payable		<u>146.50</u>	<u>0.00</u>
Liabilities-ST			
814-000-232-000	EMPLOYEE PENSION DEDUCTIONS	0.00	1,482.50
814-000-241-000	FICA TAXES	89.32	89.32
814-000-257-000	ACCRUED PAYROLL	1,167.61	1,167.61
814-000-259-000	ACCRUED HEALTH CARE	0.01	596.84
814-000-285-000	UNEARNED REVENUE	0.00	(1,586.87)
Liabilities-ST		<u>1,256.94</u>	<u>1,749.40</u>
<b>Total Liabilities</b>		<b><u>1,403.44</u></b>	<b><u>1,749.40</u></b>
*** Fund Balance ***			
Unassigned			
814-000-390-000	FUND BALANCE	386,500.75	386,500.75
Unassigned		<u>386,500.75</u>	<u>386,500.75</u>
<b>Total Fund Balance</b>		<b><u>386,500.75</u></b>	<b><u>386,500.75</u></b>
<b>Beginning Fund Balance</b>			<b>386,500.75</b>
<b>Net of Revenues VS Expenditures</b>			<b>(5,586.97)</b>
<b>Ending Fund Balance</b>			<b>380,913.78</b>
<b>Total Liabilities And Fund Balance</b>			<b>382,663.18</b>

REVENUE AND EXPENDITURE REPORT FOR CITY OF BERKLEY  
 PERIOD ENDING 04/30/2022  
 % Fiscal Year Completed: 83.29  
 NEWLY CREATED FUND REV AND EXP REPORT

GL NUMBER	DESCRIPTION	END BALANCE 06/30/2021 NORM (ABNORM)	2021-22 ORIGINAL BUDGET	2021-22 AMENDED BUDGET	YTD BALANCE 04/30/2022 NORM (ABNORM)	AVAILABLE BALANCE NORM (ABNORM)	% BDTG USED
Fund 814 - DDA							
Dept 001 - REVENUES							
814-001-401-000	PROPERTY TAXES	38,505.21	37,680.00	37,680.00	39,273.58	(1,593.58)	104.23
814-001-401-001	PROPERTY TAX CAPTURE - DDA	302,073.83	315,000.00	315,000.00	332,840.02	(17,840.02)	105.66
814-001-401-850	PPT ~ CURRENT YR DEL	4,787.24	(2,500.00)	(2,500.00)	0.00	(2,500.00)	0.00
814-001-401-900	PROPERTY TAXES - CHARGEBACKS	0.00	0.00	0.00	(1,170.37)	1,170.37	100.00
814-001-445-000	INTEREST AND PENALTIES ON TAXES	0.00	0.00	0.00	186.58	(186.58)	100.00
814-001-539-000	STATE GRANTS	5,775.62	0.00	1,500.00	1,500.00	0.00	100.00
814-001-573-000	LOCAL COMMUNITY STABILIZATION SHARE-PPT	14,569.46	14,000.00	14,000.00	0.00	14,000.00	0.00
814-001-664-000	INVESTMENT EARNINGS	1,011.62	3,000.00	3,000.00	740.25	2,259.75	24.68
814-001-674-005	MERCHANDISE REVENUE	0.00	250.00	250.00	275.00	(25.00)	110.00
814-001-675-005	CORPORATE DONATIONS	0.00	0.00	47,500.00	47,425.93	74.07	99.84
814-001-675-117	COOPERATIVE ADVERTISING INCOME	0.00	15,000.00	15,000.00	0.00	15,000.00	0.00
814-001-675-814	EVENT SPONSORSHIPS	0.00	2,500.00	2,500.00	130.00	2,370.00	5.20
Net - Dept 001 - REVENUES		366,722.98	384,930.00	433,930.00	421,200.99	12,729.01	
Dept 175 - DDA ADMINISTRATION							
814-175-704-000	FULL TIME EMPLOYEES	52,856.07	69,360.00	69,360.00	55,115.92	14,244.08	79.46
814-175-715-000	FICA	4,006.47	5,306.00	5,306.00	4,190.10	1,115.90	78.97
814-175-728-000	OFFICE SUPPLIES	199.33	1,500.00	1,500.00	150.05	1,349.95	10.00
814-175-814-001	WEBSITE	225.77	0.00	0.00	0.00	0.00	0.00
814-175-817-008	BOARD TRAININGS	0.00	3,000.00	3,000.00	0.00	3,000.00	0.00
814-175-960-000	PROFESSIONAL DEVELOPMENT	0.00	4,000.00	4,000.00	585.00	3,415.00	14.63
Net - Dept 175 - DDA ADMINISTRATION		(57,287.64)	(83,166.00)	(83,166.00)	(60,041.07)	(23,124.93)	
Dept 265 - CITY HALL							
814-265-921-100	TRIBUNAL/BOARD OF REVIEW TAX EXPENSE	0.00	2,500.00	2,500.00	0.00	2,500.00	0.00
Net - Dept 265 - CITY HALL		0.00	(2,500.00)	(2,500.00)	0.00	(2,500.00)	
Dept 822 - DDA OPERATIONS							
814-822-727-100	INTERNAL SRVC - LABOR & ADMIN	10,000.00	10,000.00	10,000.00	7,500.00	2,500.00	75.00
814-822-730-000	POSTAGE-PRINTING-MAILING	0.00	300.00	300.00	0.00	300.00	0.00
814-822-803-000	MEMBERSHIPS AND DUES	937.00	1,030.00	1,030.00	350.00	680.00	33.98
814-822-807-000	AUDIT SERVICES	1,470.00	1,500.00	1,710.00	1,710.00	0.00	100.00
814-822-817-000	CONSULTANT	0.00	15,000.00	15,000.00	0.00	15,000.00	0.00
814-822-818-205	SECRETARIAL SERVICES	1,825.00	2,000.00	2,000.00	1,500.00	500.00	75.00
814-822-824-000	LEGAL SERVICES	573.75	2,500.00	2,500.00	0.00	2,500.00	0.00
814-822-853-000	TELEPHONE	488.17	600.00	600.00	404.87	195.13	67.48
814-822-865-000	DOWNTOWN BERKLEY PARTNERS NON PROFIT	25.00	1,500.00	1,500.00	0.00	1,500.00	0.00
814-822-866-000	SUBSCRIPTION SERVICES	0.00	300.00	300.00	0.00	300.00	0.00
814-822-904-000	PRINTING	0.00	300.00	300.00	0.00	300.00	0.00
Net - Dept 822 - DDA OPERATIONS		(15,318.92)	(35,030.00)	(35,240.00)	(11,464.87)	(23,775.13)	
Dept 824 - SPECIAL EVENTS							
814-824-817-004	DDA - EVENTS	746.38	14,700.00	14,700.00	14,599.99	100.01	99.32
814-824-817-015	HOLIDAY LIGHTS	25,001.44	30,000.00	31,000.00	32,723.03	(1,723.03)	105.56
814-824-901-000	ADVERTISING	580.00	0.00	0.00	0.00	0.00	0.00

REVENUE AND EXPENDITURE REPORT FOR CITY OF BERKLEY

PERIOD ENDING 04/30/2022

% Fiscal Year Completed: 83.29

NEWLY CREATED FUND REV AND EXP REPORT

GL NUMBER	DESCRIPTION	END BALANCE 06/30/2021 NORM (ABNORM)	2021-22 ORIGINAL BUDGET	2021-22 AMENDED BUDGET	YTD BALANCE 04/30/2022 NORM (ABNORM)	AVAILABLE BALANCE NORM (ABNORM)	% BDGT USED
Fund 814 - DDA							
Net - Dept 824 - SPECIAL EVENTS		(26,327.82)	(44,700.00)	(45,700.00)	(47,323.02)	1,623.02	
Dept 826 - MARKETING AND ADVERTISING							
814-826-814-000	WEBSITE	0.00	312.00	312.00	312.00	0.00	100.00
814-826-817-002	DOWNTOWN MERCHANDISE EXPENDITURES	0.00	1,500.00	1,500.00	0.00	1,500.00	0.00
814-826-818-000	CONTRACTUAL SERVICES	390.00	6,000.00	6,000.00	6,000.00	0.00	100.00
814-826-901-000	ADVERTISING/MARKETING	38,990.27	29,000.00	29,000.00	27,313.08	1,686.92	94.18
814-826-901-001	MAP UPDATE & REPRINT	1,390.00	1,500.00	1,500.00	0.00	1,500.00	0.00
Net - Dept 826 - MARKETING AND ADVERTISING		(40,770.27)	(38,312.00)	(38,312.00)	(33,625.08)	(4,686.92)	
Dept 829 - STREETScape & DESIGN							
814-829-818-000	CONTRACTUAL SERVICES	0.00	0.00	2,000.00	1,615.00	385.00	80.75
814-829-818-200	FLOWER BASKET PROGRAM	32,410.85	28,000.00	28,000.00	12,920.85	15,079.15	46.15
814-829-818-201	PUBLIC ART/PLACEMAKING	11,416.67	25,000.00	30,000.00	34,126.48	(4,126.48)	113.75
814-829-818-207	PEST CONTROL	480.00	500.00	500.00	320.00	180.00	64.00
814-829-974-001	FACADE GRANT INCENTIVE PROGRAM	12,408.00	15,000.00	15,000.00	7,862.77	7,137.23	52.42
Net - Dept 829 - STREETScape & DESIGN		(56,715.52)	(68,500.00)	(75,500.00)	(56,845.10)	(18,654.90)	
Dept 940 - PUBLIC IMPROVEMENT							
814-940-974-002	STREETScape IMPROVEMENTS	1,615.00	55,000.00	55,000.00	27,104.07	27,895.93	49.28
814-940-974-003	SIDEWALK REPAIR	0.00	25,000.00	25,000.00	17,599.48	7,400.52	70.40
814-940-974-005	WAYFINDING	71,202.75	55,000.00	60,000.00	57,943.59	2,056.41	96.57
814-940-974-007	BERKLEY PLAZA PROJECT	0.00	60,000.00	90,000.00	100,966.87	(10,966.87)	112.19
Net - Dept 940 - PUBLIC IMPROVEMENT		(72,817.75)	(195,000.00)	(230,000.00)	(203,614.01)	(26,385.99)	
Dept 952 - ACTIVE EMPLOYEE BENEFITS							
814-952-716-000	DENTAL/VISION/LIFE-LTD/RHCS	1,000.00	1,000.00	1,000.00	1,373.03	(373.03)	137.30
814-952-716-500	HEALTH CARE COSTS - BC/BS	9,437.65	10,300.00	10,300.00	3,468.38	6,831.62	33.67
814-952-718-000	RETIREMENT-DB MERS	25,937.17	26,520.00	26,520.00	9,033.40	17,486.60	34.06
Net - Dept 952 - ACTIVE EMPLOYEE BENEFITS		(36,374.82)	(37,820.00)	(37,820.00)	(13,874.81)	(23,945.19)	
Fund 814 - DDA:							
TOTAL REVENUES		366,722.98	384,930.00	433,930.00	421,200.99	12,729.01	97.07
TOTAL EXPENDITURES		305,612.74	505,028.00	548,238.00	426,787.96	121,450.04	77.85
NET OF REVENUES & EXPENDITURES		61,110.24	(120,098.00)	(114,308.00)	(5,586.97)	(108,721.03)	4.89
BEG. FUND BALANCE		325,390.51	386,500.75	386,500.75	386,500.75		
END FUND BALANCE		386,500.75	266,402.75	272,192.75	380,913.78		



City of Berkley  
Department of Public Safety



**INTEROFFICE CORRESPONDENCE**

**DATE:** May 24, 2022  
**TO:** Matthew Baumgarten, City Manager  
**FROM:** Matt Koehn, Director of Public Safety *MK*  
**SUBJECT:** Berkley Pride Block Party

The Berkley Downtown Development Authority has submitted an application the "Berkley Pride Block Party". The event will take place on Saturday, June 26, 2022 from noon to 4 PM on Robina north of 12 Mile Road to the north end of the public parking lots. This event will close the road from 9 AM to 6 PM for setup and cleanup.

The Berkley Pride Block Party will feature a DJ, entertainment, food trucks, kid crafts, games, and community outreach booths.

The Department of Public Safety has reviewed the application. The Berkley Downtown Development Authority is an entity of the City of Berkley. The Berkley Pride Block Party will be staffed by one employee and 24 volunteers. Volunteers will be stationed at the road closure locations. The Berkley Downtown Development Authority has not submitted a petition signed by the majority of area businesses approving of the road closure.

The Department of Public Safety will collaborate with the Berkley Department of Public Works to work out all of the details of the event. Upon approval, DPS will prepare a TCO for all closures.

The Department of Public Safety will monitor this event.

The Department of Public Safety recommends approval of the Berkley Pride Block Party. This approval is contingent upon the submission of the petition signed by the majority of area businesses approving of the road closure.

**CITY OF BERKLEY MICHIGAN**  
**TEMPORARY TRAFFIC CONTROL ORDER**

**T-11-22**

In accordance with the duly adopted Uniform Traffic Code for Cities, Townships, and Villages, the Traffic Engineer hereby issues the following Traffic Control Order.

- PURPOSE:** Temporary traffic control for "Berkley Pride Block Party" to ensure safety of attendees and pedestrians attending the event.
- LOCATION:** Robina Ave, North of 12 Mile to the north side of the public parking lots, including blocking the Alley east and west of Robina, and the entrance to the public parking lots east and west of Robina
- DATE/S:** June 26, 2022 from 9 AM to 6 PM
- ACTION:** DPW to provide barricades on Robina at 12 Mile, Robina at the north end of the public parking lots, and the alley and entrance of the public parking lots off of Robina.
- Public Safety to monitor and confirm set up, as well as assist as necessary.



\_\_\_\_\_  
Matt Koehn  
Public Safety Director, Traffic Engineer  
May 24, 2022

**Distribution Copies**

1. Public Works Director/Deputy Traffic Engineer
2. Public Safety Director
3. Original – Traffic Control File





Victoria Mitchell &lt;vmitchell@berkleymich.net&gt;

---

## Community Special Events Applications

---

Shawn Young &lt;syoun@berkleymich.net&gt;

Tue, May 24, 2022 at 1:12 PM

To: Gina Harold &lt;gharold@berkleymich.net&gt;

Cc: Department Directors &lt;directors@berkleymich.net&gt;, Michael Smith &lt;mdsmith@berkleymich.net&gt;, Ric Chalmers &lt;rchalmers@berkleymich.net&gt;

After reviewing the Application for the 2022 Berkley Pride Block Party I have the following recommendations.

1. Protective measures such as concrete barriers should be used at both ends of the Robina closure and adjacent alleyway and driveway approaches so coordination of opening and closing times will be extremely important. All items must be removed from the closure areas within the requested closure times.
2. The applicant is responsible for providing all resources necessary to safely operate the event. The street light plugs are not to be used to support the food trucks and vendors. There is limited power available on Robina near the alley north of 12 Mile.
3. We recommend prior written notification be provided to all of the businesses and residents in the immediate area.
4. Volunteer assistance is a critical piece to the overall success of this event. Volunteers should be stationed at the closure locations to maintain barricade placements (especially during early set-up and at the end of the event).
5. DPW may request to modify the scope and time of the closure to limit the impacts on the surrounding residential neighborhood and allow time to safely install and remove any barricades or barriers.
6. A signed TCO will be required from Public Safety prior to the start of the event.
7. Please note the cost to the City for DPW labor and equipment is approximately \$3,000 for this event.

Thank You

[Quoted text hidden]

--

**Shawn Young**  
**Director of Public Works**  
**City Of Berkley**  
**3238 Bacon Ave**  
**Berkley, Michigan 48072**  
**248.658.3490**  
**248.658.3491 fax**  
**[syoun@berkleymich.net](mailto:syoung@berkleymich.net)**

June 6, 2022 City Council Meeting

Moved by Councilmember \_\_\_\_\_ and seconded by Councilmember \_\_\_\_\_ to amend the City of Berkley's Fee Schedule for the Public Library effective July 1, 2022 to include the following:

Eliminate overdue charges for Children's books, Adult and teen books, DVD's and videos, and Nonprint materials; and increase Collection agency referral fee to \$12.

Ayes:

Nays:

Motion:



## **CITY OF BERKLEY**

### ***Public Library***

3155 Coolidge Highway

Berkley, MI 48072

248-658-3440

---

## **MEMORANDUM**

TO: Matt Baumgarten, City Manager  
CC: Mark Pollock, Finance Director  
FROM: Matt Church, Library Director  
DATE: May 26, 2022  
RE: Modification of library fee schedule

For the last several years, public libraries across the country have been moving to a “fine free” service model. Going fine free eliminates a barrier to access the library and its resources. It also reduces the tension that inevitably arises between staff and the public when fines are disputed.

Overdue fees are a very small portion of the library’s overall budget. The Berkley Library generates about \$250 per month from overdue fees. Meeting room rentals and proctoring fees go into the overdue fees account as well but I’d estimate actual fines being \$175-250 per month.

A recently instituted “automatic renewal” service with our consortium renews items automatically for patrons. This change has helped reduce the amount of overdue fines charged.

When the library was open for curbside service only and during the early phase of our return to in-person service, we did not charge patrons overdue fees. This was an interesting test of the fine free model and it was certainly a success. Between not bickering about when an item was returned or people holding onto items fearing the worst, it really transformed our interactions with patrons. We also saved staff time at the library and City Hall without the need to count, record, and deposit overdue fees.

The library has made other changes recently to reduce or eliminate barriers to use the library. We removed a lost card replacement fee and no longer charge video rental fees. Changes such as these make the library available to all users without any financial hurdles in the way.

I can’t tell you the number of times I’ve had patrons say they had a lost library book at home but didn’t want to bring it back because they feared there’d be a very high fee or they were embarrassed to bring a lost item back. Eliminating overdue fees removes this tension and encourages people to continue to use the library. It also allows us to focus on getting the materials back on the shelf. That’s ultimately our main priority.

Will some patrons abuse a fine free library? Certainly. That’s to be expected and will have to be accepted. I believe that most will not abuse it. We did not see rampant abuse when we were fine free last year.

The library will still charge for lost items. After being considered overdue for an extended time, the patron is billed for the replacement of the item. As a fine free library, they would need to get the lost item returned and then all fines would be cleared from the item. Lost items will prevent further use the library card until the items are returned or the replacement fees are paid.

If the item remains lost and no action is taking by the patron, the account will eventually be referred to a collection agency. We have had good success with the collection agency over the last several years. Having the collection agency in place will help ensure delinquent accounts are dealt with.

Having seen libraries flourish with a fine free approach, I am confident it will be a success in Berkley. If we can have more overdue or lost items returned to the library and get borrowers back in good standing sooner, I am sure we will be a better library for it.

**The library board supports eliminating the following categories in the library's fee schedule: Children's books, Adults and teen books, DVD's and videos, and nonprint materials.** The elimination of these fees has already been factored into the FY 2022-23 budget that was approved in May 2022.

**In addition to the elimination of the overdue charges in the fee schedule, I'd like to increase the collection agency referral fee from \$10 to \$12.** This fee increase was made by the collection agency for new accounts being referred so we'd be passing it onto the patron. This \$12 fee covers the charge we pay for newly referred accounts and does not generate additional revenue.

I recommend both of the changes above in bold become effective on July 1, 2022. If you need anything further or have any questions, please let me know.

**A RESOLUTION**  
**of the Council of the City of Berkley, Michigan**  
**to temporarily suspend enforcement of Residential Grading and Drainage Standards, in**  
**City Code Chapter 26, Article XII, in regard to small projects, accessory structures, and**  
**improvements to existing residential buildings and structures.**

**Whereas**, the City of Berkley has adopted Residential Grading and Drainage Standards, in City Code Chapter 26, Article XII; and

**Whereas**, the City has determined that in connection with some small projects, especially in regard to accessory structures and improvements to existing structures, the standards can apply inequitably and be in some cases overly strict, and in others too lax; and

**Whereas**, the City Council wants to temporarily suspend the enforcement of the Residential Grading and Drainage Standards in regard to small projects, accessory structures, and improvements to existing residential buildings and structures while the City Administration studies, evaluates and develops possible amendments to the Residential Grading and Drainage Standards to address these concerns.

**Therefore, it is resolved** that the City of Berkley City Council directs that enforcement of Residential Grading and Drainage Standards in City Code Chapter 26, Article XII, in regard to small projects, accessory structures, and improvements to existing residential buildings and structures is temporarily suspended, effective immediately, until further action of City Council.

**It is further resolved** that while this temporary suspension of enforcement is in place, the City Administration is directed to study, evaluate, draft and present to City Council proposed amendments to the current Resident Grading and Drainage Standards.

**It is further resolved** that the current Residential Grading and Drainage Standards shall continue to apply and be enforceable as to any new residential development.

*Introduced and passed at a Regular City Council Meeting on Monday, June 6, 2022.*

\_\_\_\_\_  
*Daniel J. Terbrack, Mayor*

Attest:

\_\_\_\_\_  
*Victoria Mitchell, City Clerk*